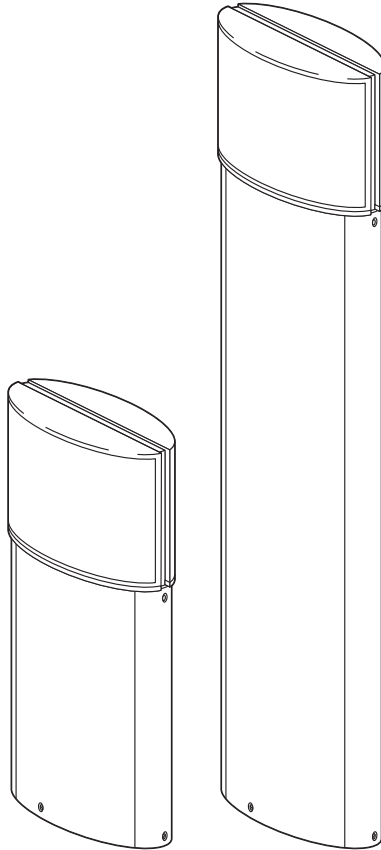

**ENDURA® STYLE
ELLIPSE**



	EAN	W	lm	K	Θ_{amb} (°C)	V~	mA	Hz	PF
ENDURA® STYLE ELLIPSE 50 CM 13 W DG	4058075205093	12.5	890	3000	-20...+40	220-240	103	50/60	>0.5
ENDURA® STYLE ELLIPSE 90 CM 13 W DG	4058075205116	12.5	890	3000	-20...+40	220-240	103	50/60	>0.5

