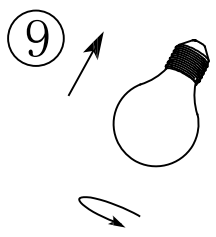
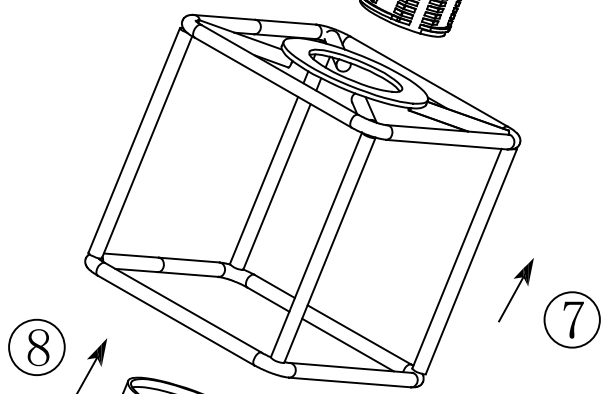
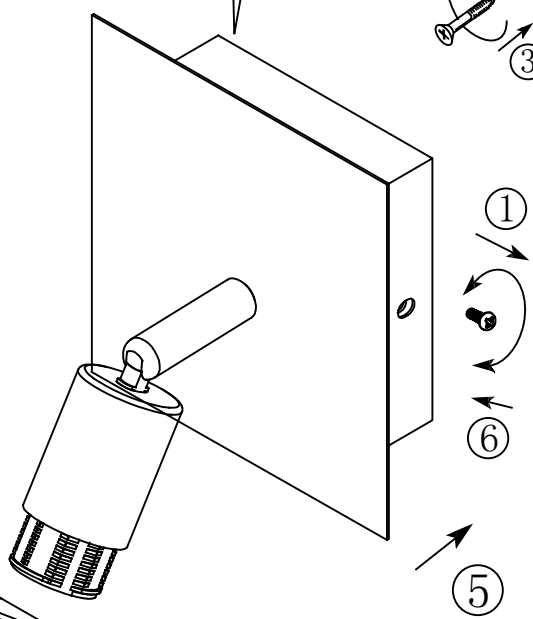
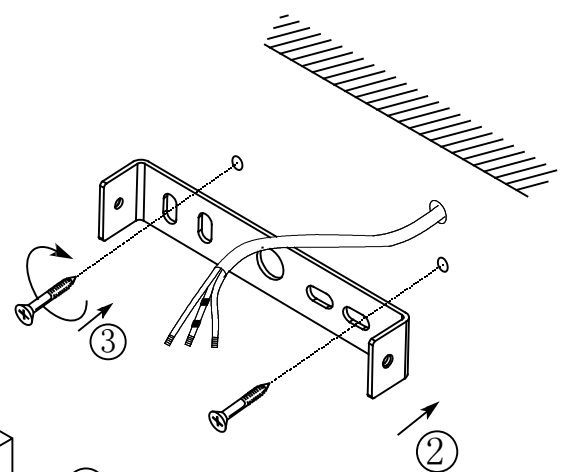
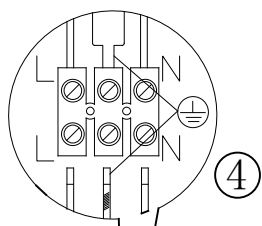
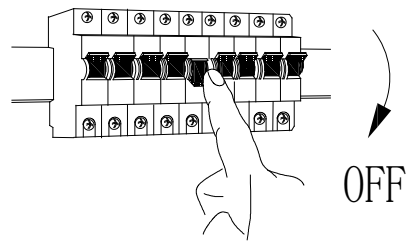


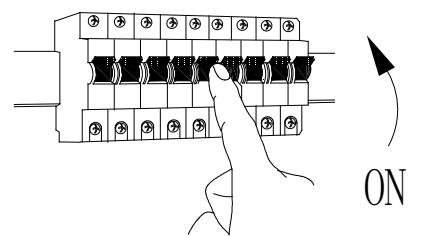
A

B

Ok 18.12.2018  
*[Signature]*



C



B43027  
www.eglo.com