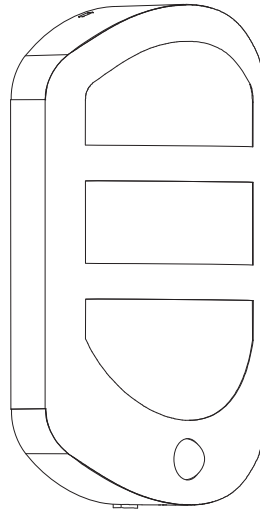
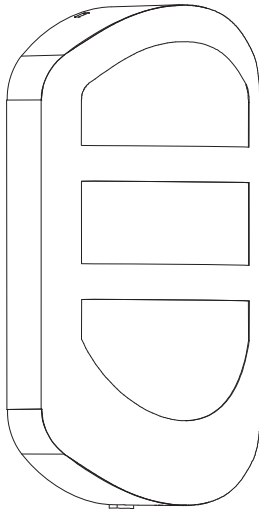


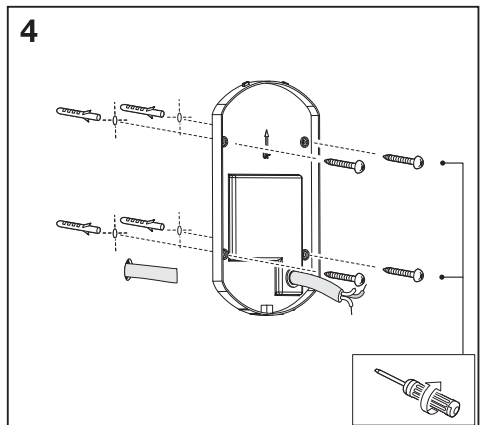
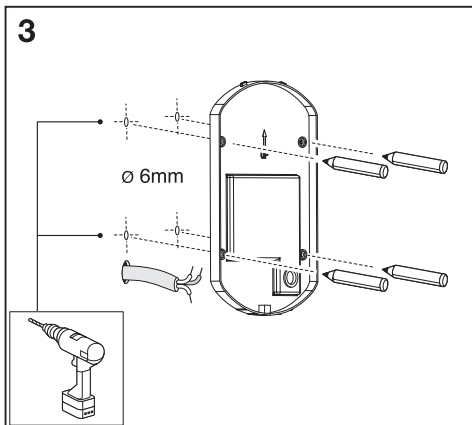
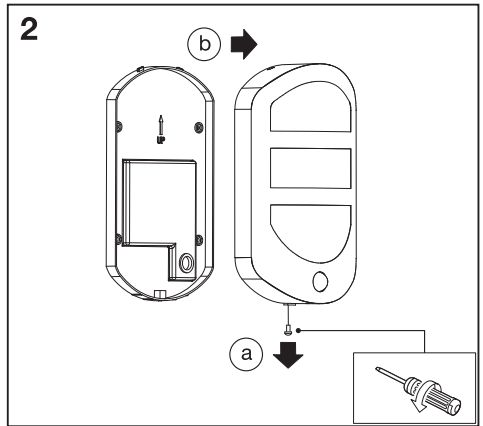
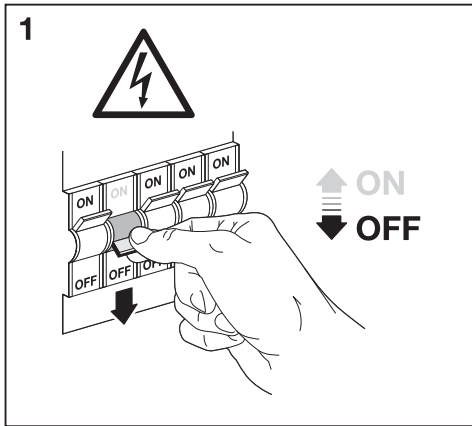
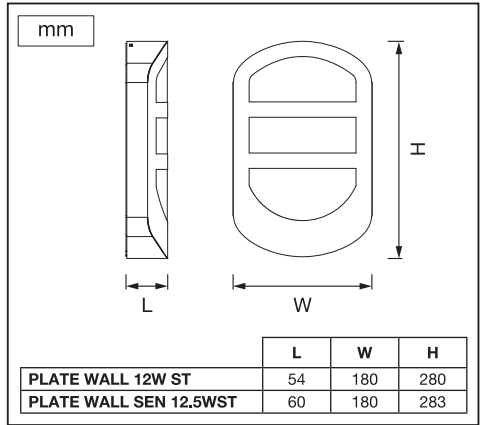
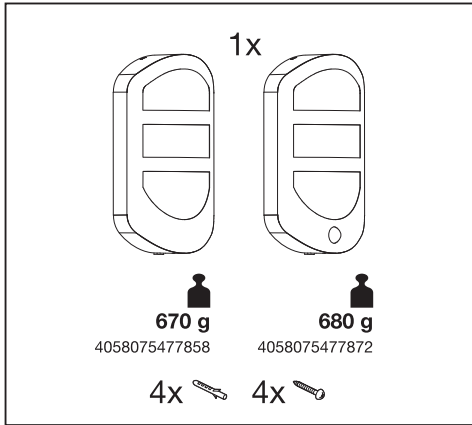
---

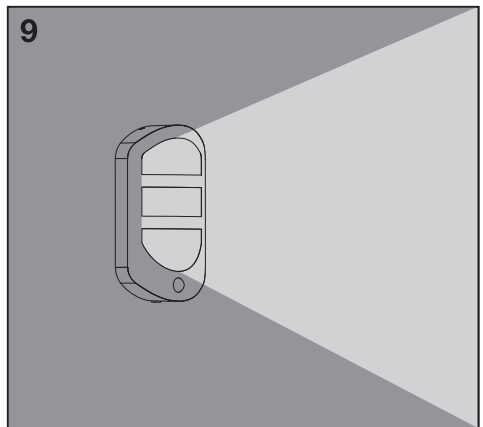
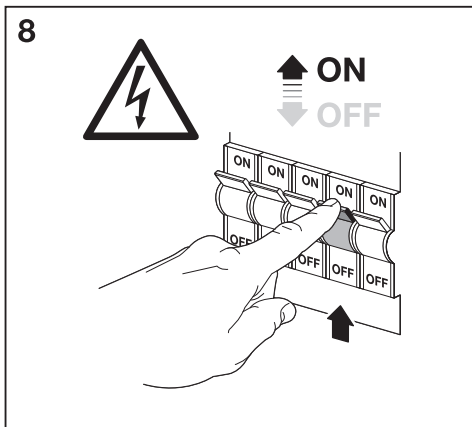
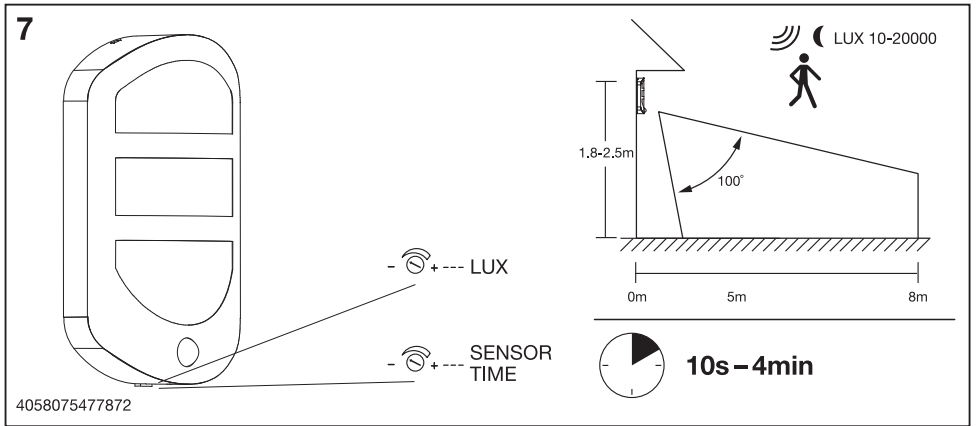
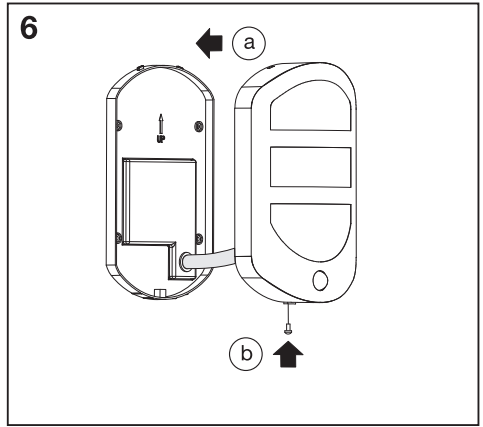
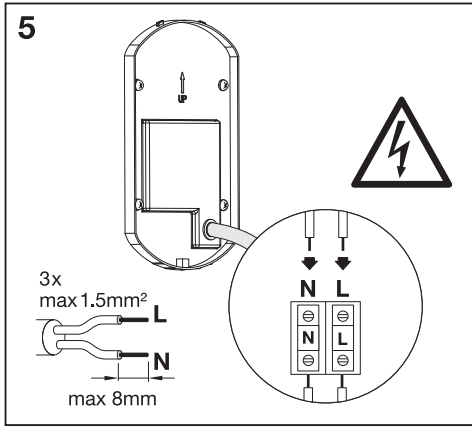
**ENDURA® STYLE**


---



	EAN	W	lm	K	Temp <sup>amb</sup> (°C)	V~	mA	Hz	PF
ENDURA STYLE PLATE WALL 12W ST	4058075477858	12	600	3000	-20...+40	220-240	52	50/60	>0.5
ENDURA STYLE PLATE WALL SEN 12.5WST	4058075477872	12.5	630	3000	-20...+40	220-240	54	50/60	>0.5







**CE**



**IP44 RoHS**

C10449057  
G11100693V2  
14.07.2020



**LEDVANCE GmbH**  
Steinerne Furt 62  
86167 Augsburg, Germany  
[www.ledvance.com](http://www.ledvance.com)