

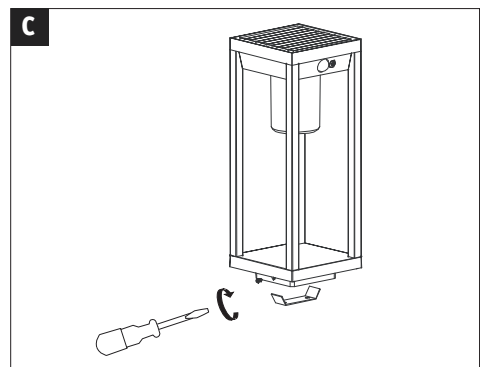
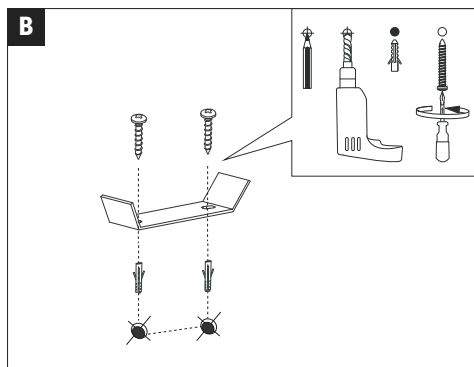
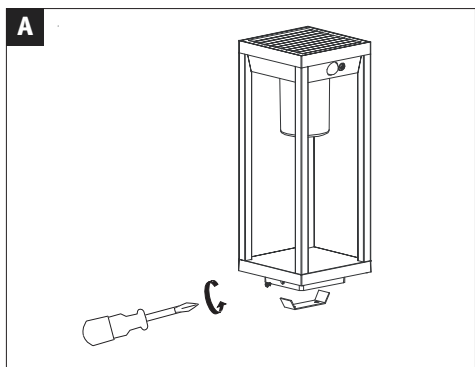
Art.-Nr.: 945.73

PSH 04/21

CE UK CA

Li-Ion

Incl.



D

x1	 $\geq 10\text{lux}$ LED	 $< 10\text{lux}$ LED	$= 3\%$ LED
x2	 $\geq 10\text{lux}$ LED	 $< 10\text{lux}$	$+ \text{Person icon} = 100\%$ LED 45secx60
x3	 OFF LED		

E

H=1.5~2M

Max.8m

i

rechargeable Li-ion battery
18650 3.7V 2000mAh

i

i

! only use rechargeable
1x Li-Ion Battery (3,7V 2000mAh)