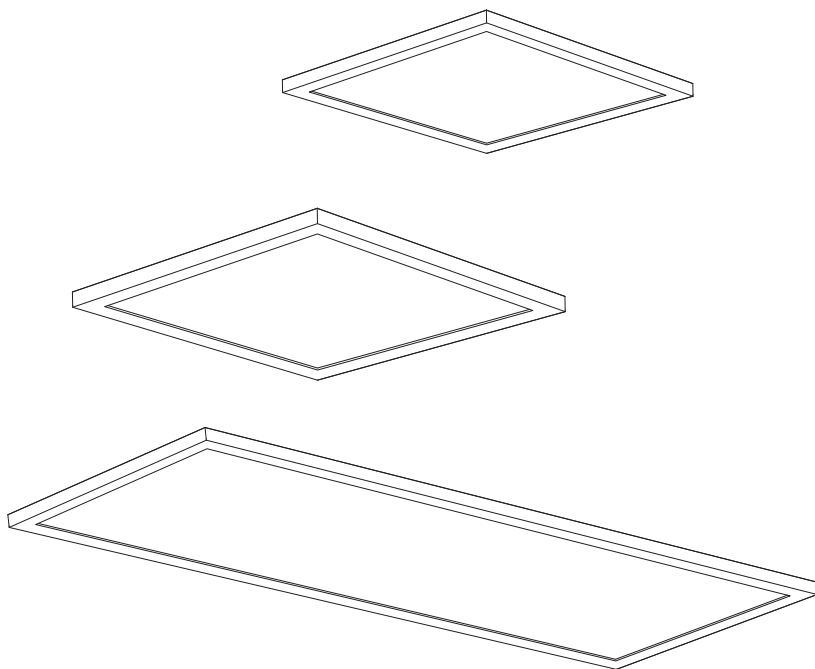


---

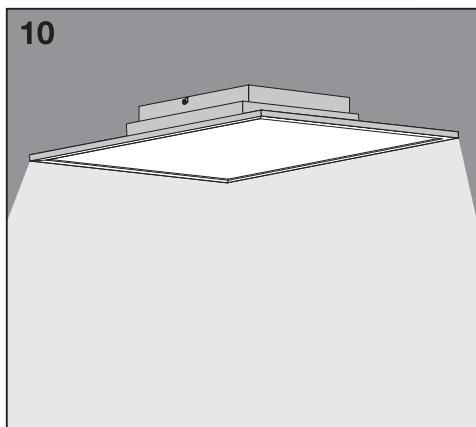
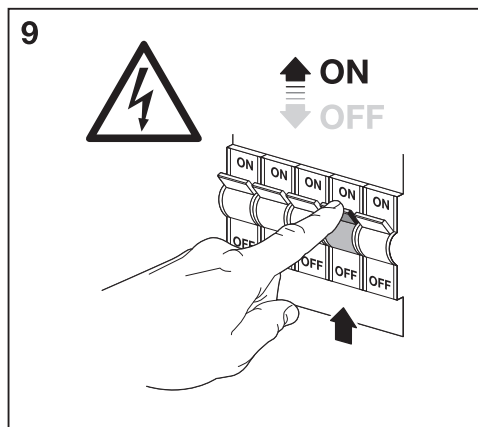
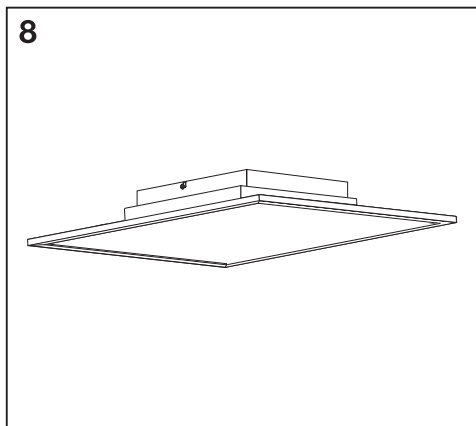
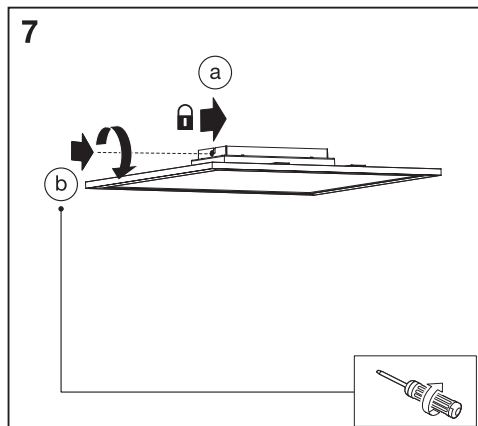
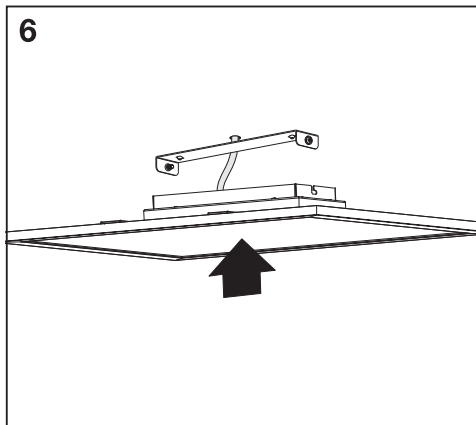
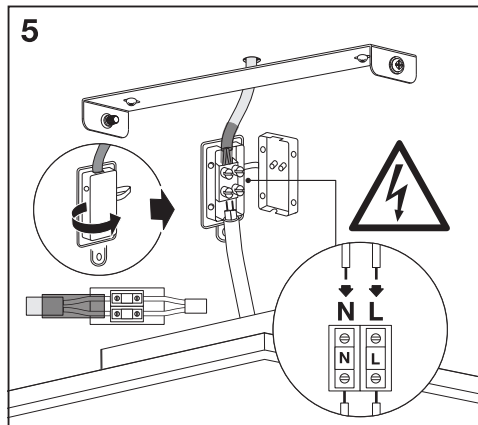
**SMART<sup>+</sup> PLANON PLUS**








---

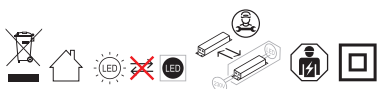


	EAN	W	I <sub>m</sub> output	I <sub>m</sub> module	K	ΔT (°C)	V~	mA	Hz	DF
SMART WIFIPLANPLUSBL 45X45REMRGBTWWT	4058075650152	28	2000	2900	3000-6500	-20...+40	220-240	150	50/60	>0.9
SMART WIFIPLANPLUSBL 60X60REMRGBTWWT	4058075650190	40	3000	3950	3000-6500	-20...+40	220-240	200	50/60	>0.9
SMARTWIFIPLANPLUSBL 100X25REMRGBTWWT	4058075650213	30	1900	3050	3000-6500	-20...+40	220-240	150	50/60	>0.9
SMART WIFIPLANPLUSBL 45X45REMRGBTWBK	4058075650251	28	1800	2900	3000-6500	-20...+40	220-240	150	50/60	>0.9
SMART WIFIPLANPLUSBL 60X60REMRGBTWBK	4058075650275	40	2700	3950	3000-6500	-20...+40	220-240	200	50/60	>0.9
SMARTWIFIPLANPLUSBL 100X25REMRGBTWBK	4058075650299	30	1700	3050	3000-6500	-20...+40	220-240	150	50/60	>0.9





	EAN	This product contains a light source of energy efficiency class	Contained Light Source
SMART WIFIPLANPLUSBL 45X45REMRGBTWWT	4058075650152	E	
SMART WIFIPLANPLUSBL 60X60REMRGBTWWT	4058075650190	E	
SMARTWIFIPLANPLUSBL 100X25REMRGBTWWT	4058075650213	E	
SMART WIFIPLANPLUSBL 45X45REMRGBTWBK	4058075650251	E	
SMART WIFIPLANPLUSBL 60X60REMRGBTWBK	4058075650275	E	
SMARTWIFIPLANPLUSBL 100X25REMRGBTWBK	4058075650299	E	



C10449057  
G11120678  
03.09.2021



LEDVANCE GmbH  
Steinerne Furt 62  
86167 Augsburg, Germany  
[www.ledvance.com](http://www.ledvance.com)