



Paulmann

### Safety Instructions

1, 2, 3, 4, 5, 6, 7, 8, 11, 15, 16, 19,  
22, 23, 24, 26, 33, 34



Info

[www.paulmann.com](http://www.paulmann.com)

Paulmann Licht GmbH  
Quezinger Feld 2  
31832 Springe  
Germany

[www.paulmann.com](http://www.paulmann.com)

Art.-Nr.: 968.33/968.34  
968.54/968.64/968.65  
968.66/976.82/976.83  
976.84/969.02/969.03  
969.04/969.05

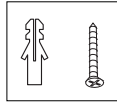
(+MA326)PBO 10/20



969.02



0.1m



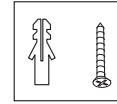
incl.



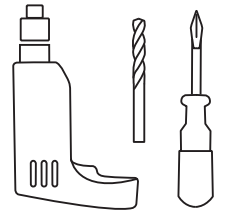
968.54/968.64  
976.82/969.03



0.5m



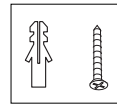
incl.



968.33/968.65  
976.83/969.04



1m



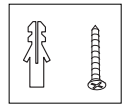
incl.



968.34/968.66  
976.84/969.05



2m

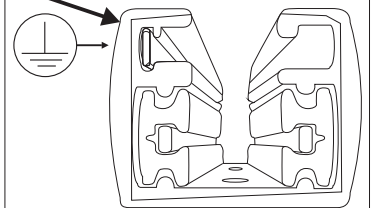
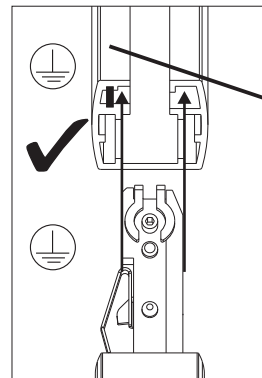
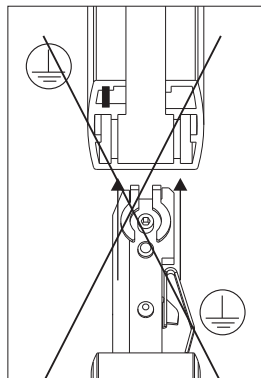
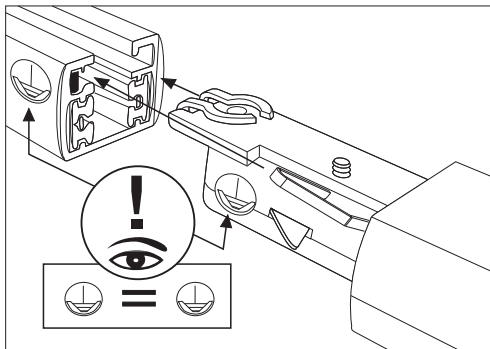


incl.

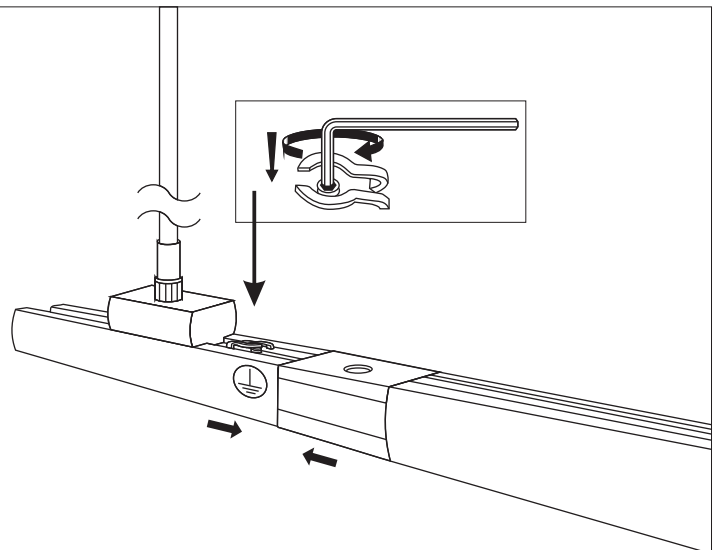
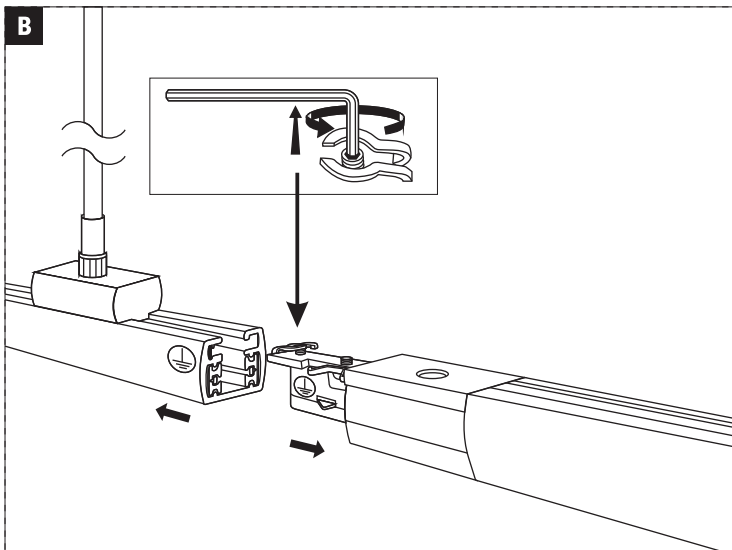
A

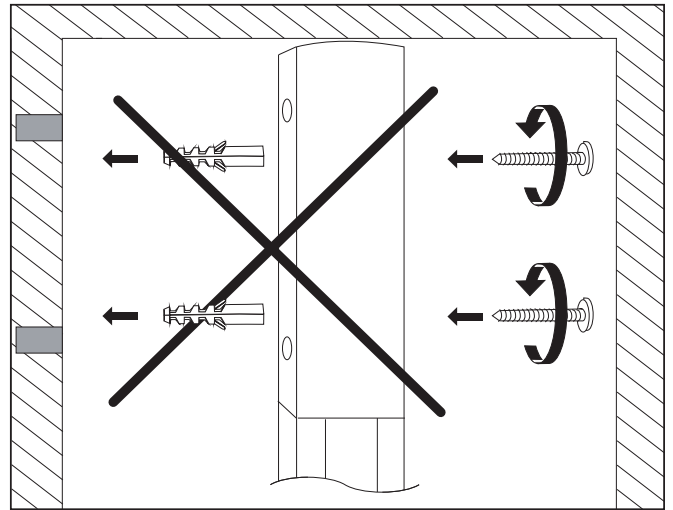
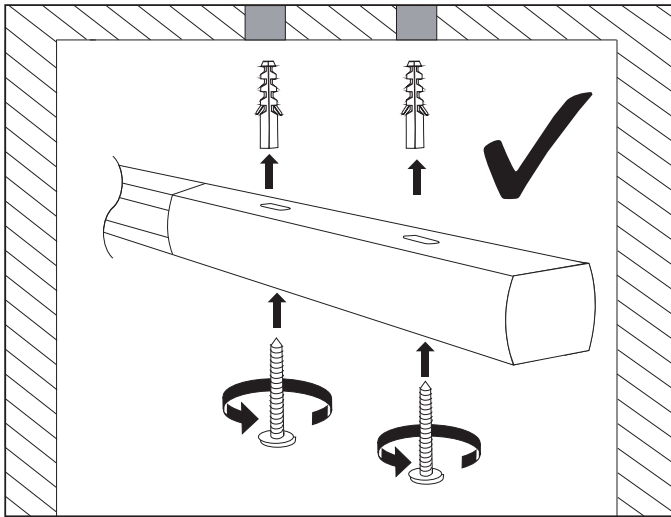
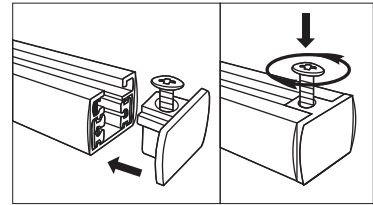
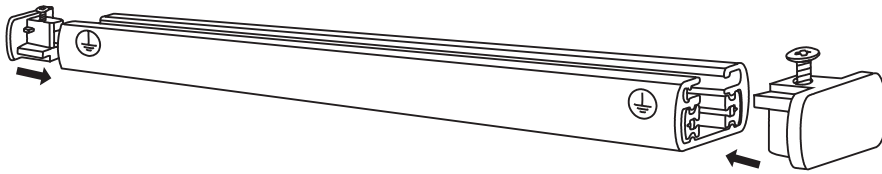


Safety  
Instructions  
Nr. 5



B



**C****D****E**