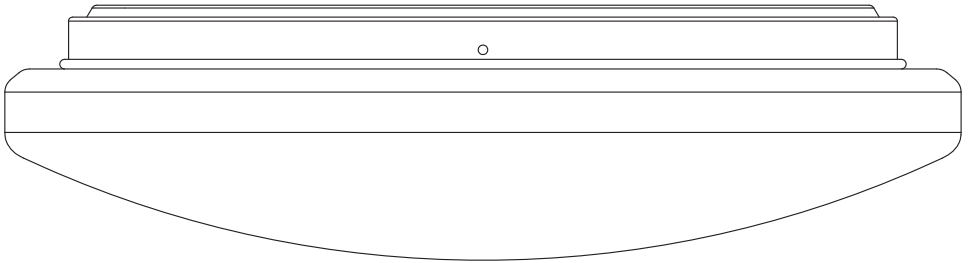
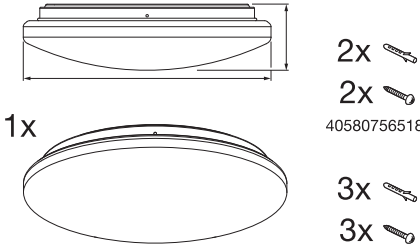



ORBIS PURE





| | EAN | W | Lumen module lm | Lumen output lm | K | IP | ΔT (°C) | V~ | mA | Hz | DF | 👤 |
|---------------------------------------|---------------|------|--------------------|--------------------|------|----|-----------|---------|-----|-------|------|-------|
| ORBIS PURE 300MM 14,5W 830 | 4058075651890 | 14.5 | 1600 | 1100 | 3000 | 20 | -20...+40 | 220-240 | 105 | 50/60 | >0.7 | 365 g |
| ORBIS PURE 400MM 24W 830 | 4058075651913 | 24 | 2700 | 1800 | 3000 | 20 | -20...+40 | 220-240 | 175 | 50/60 | >0.7 | 610 g |



2x  4058075651890


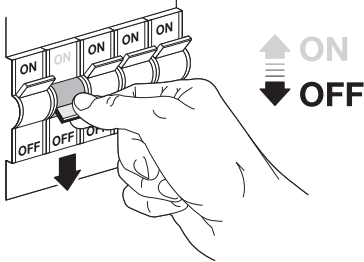
2x  4058075651913

3x  4058075651913

3x  4058075651913

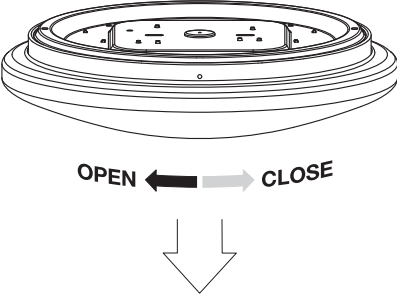
| | H (mm) | ø (mm) |
|-------------------|--------|--------|
| ORBIS PURE 300 MM | 80 | 300 |
| ORBIS PURE 400 MM | 80 | 400 |

1

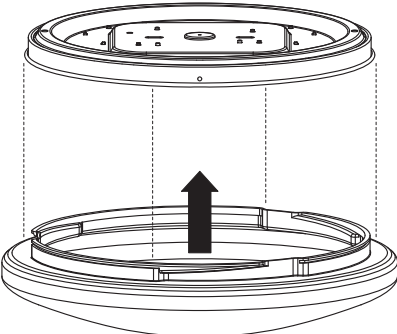



ON
OFF

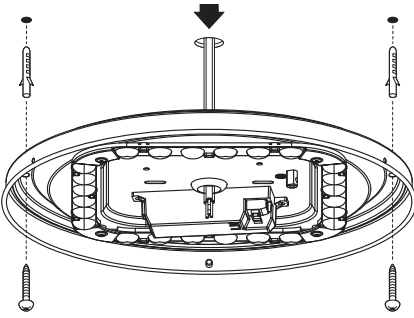
2



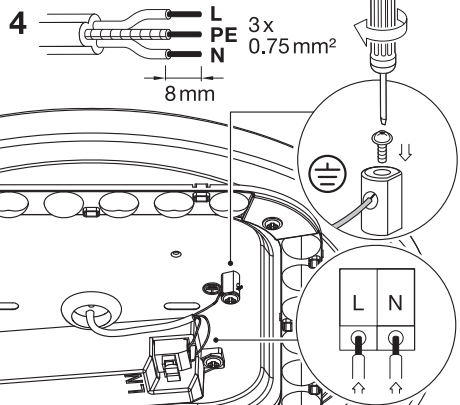
OPEN ← → CLOSE



3



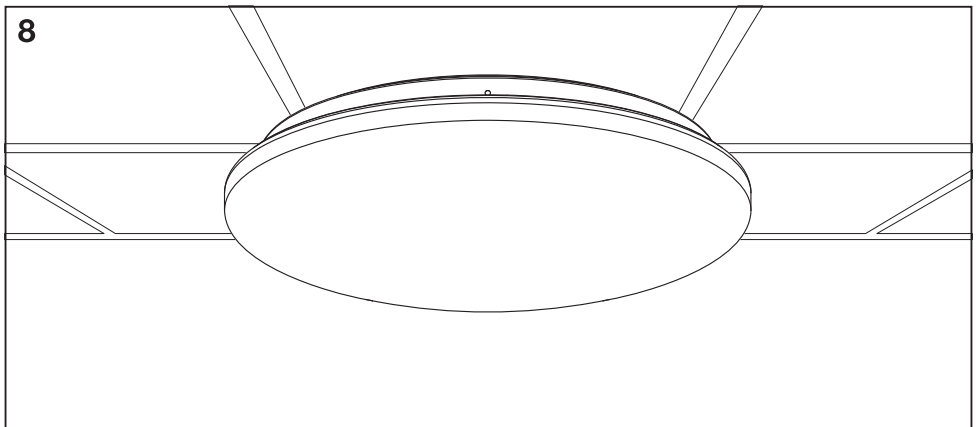
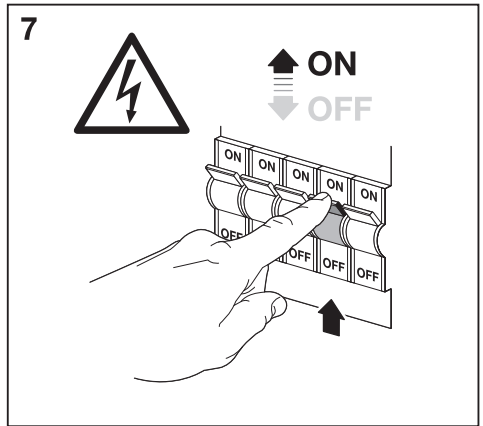
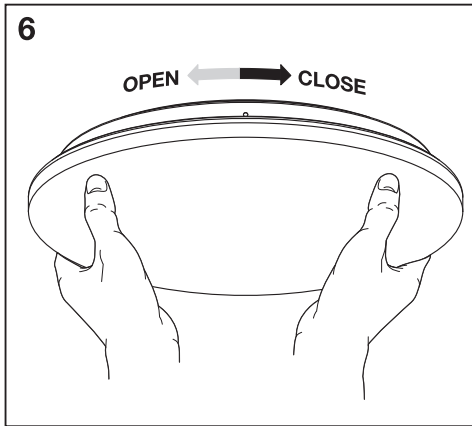
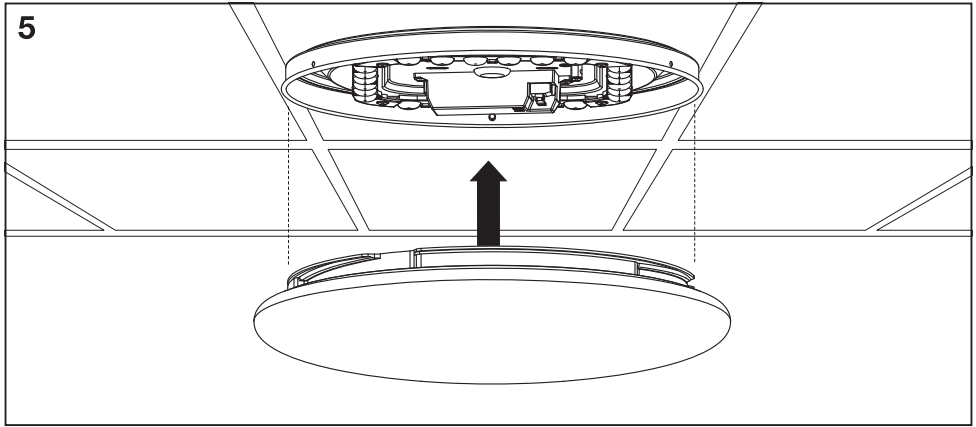
4





L 3x
PE 0.75 mm²
N

8 mm

L N



| | EAN | This product contains a light source of energy efficiency class | Contained Light Source |
|----------------------------|---------------|---|---|
| ORBIS PURE 300MM 14.5W 830 | 4058075651890 | E |  |
| ORBIS PURE 400MM 24W 830 | 4058075651913 | E |  |



LEDVANCE GmbH
 Steinerne Furt 62
 86167 Augsburg, Germany
www.ledvance.com