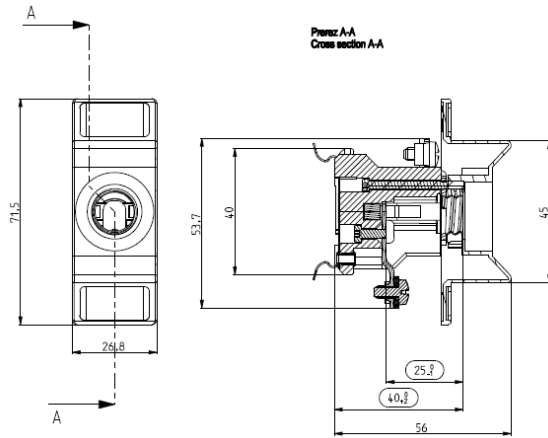


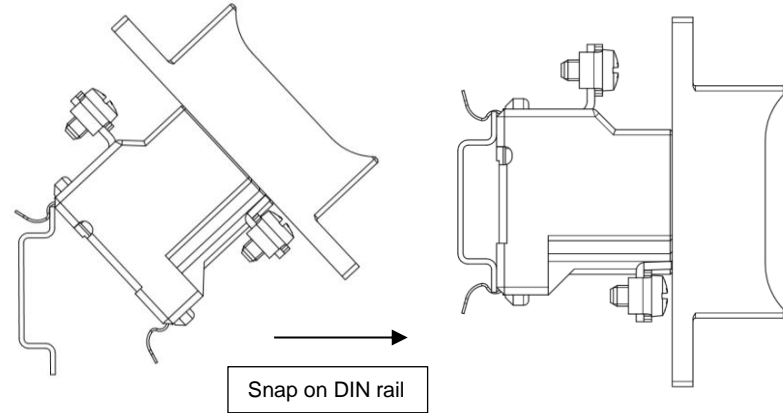
Ceramic fuse base D01 D02

Dimensions [mm]

Installation



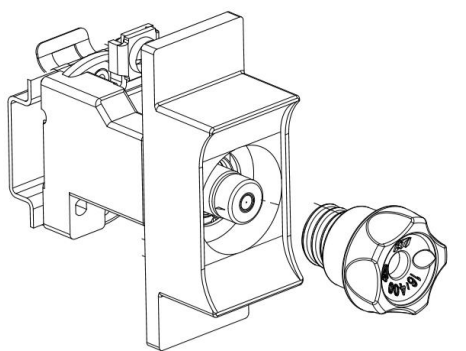
Type	D01 1p	D01 3p	D02 1p	D02 3p
B [mm]	26,8	80,4	26,8	80,4



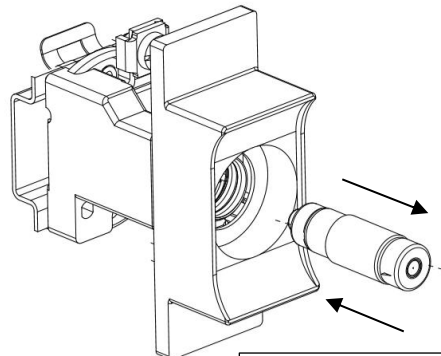
CAUTION!
Installation by electricians only!

Fuse link replacement

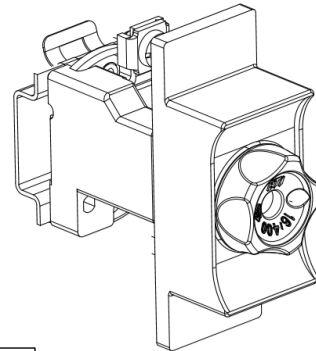
Disassembly



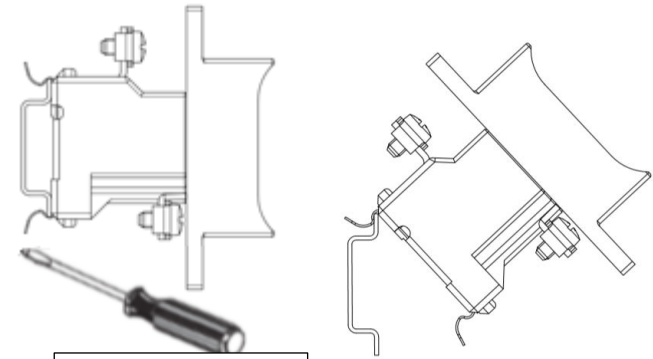
Unscrew the fuse carrier



Replace the fuse link



Screw back the fuse carrier



Using a screwdriver pull down on the metal snap-on unit