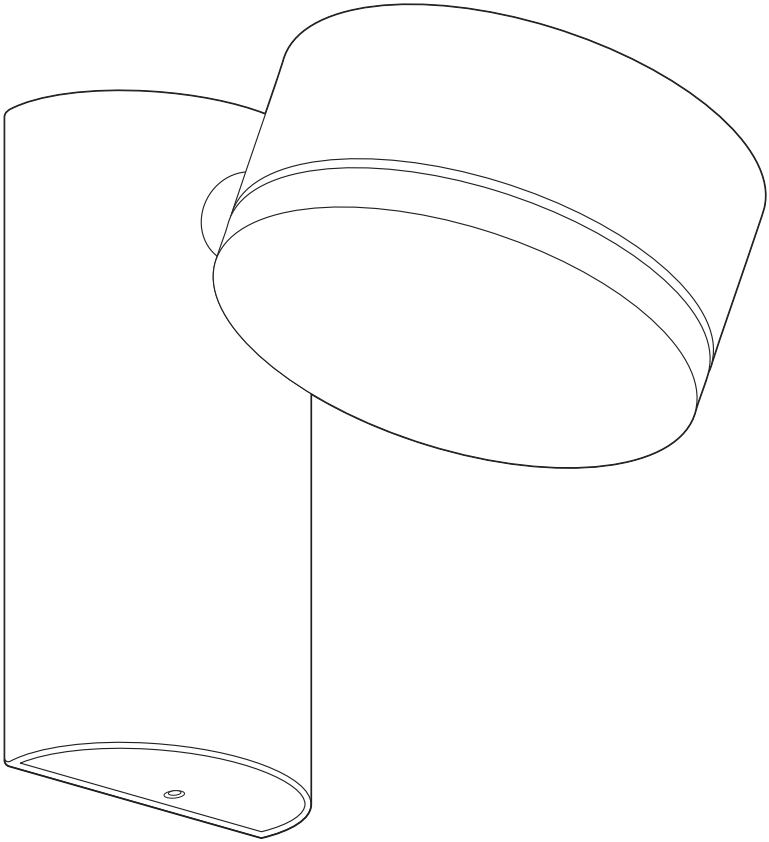

**ENDURA® STYLE
SPOT RD**



	EAN	W	lm	K	Class (°C)	V~	mA	Hz	PF
ENDURA® STYLE SPOT RD 8W DG	4058075214095	8	440	3000	-20...+40	220-240	66	50/60	>0.5
ENDURA® STYLE SPOT RD 8W WT	4058075214118	8	460	3000	-20...+40	220-240	66	50/60	>0.5

