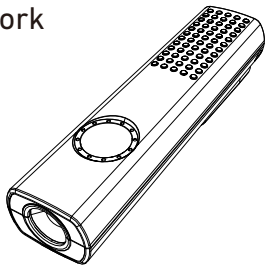


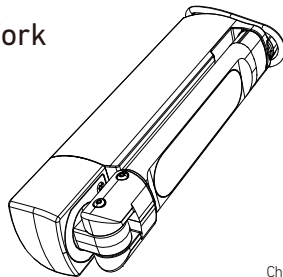
LEDLENSER W5R Work/W6R Work/W7R Work

W5R Work



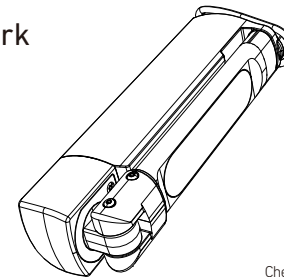
Type-C to Type-C
Battery Type: 18650
Chemical System Of Battery: Li-ion

W6R Work



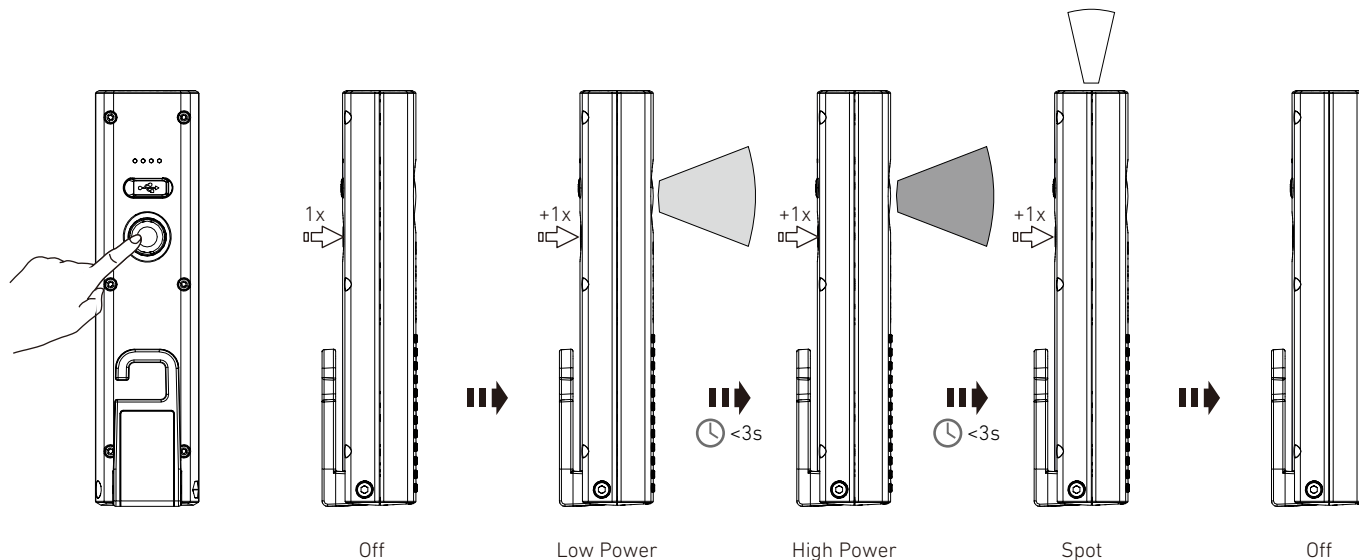
Type-C to Type-C
Battery Type: 18650
Chemical System Of Battery: Li-ion

W7R Work

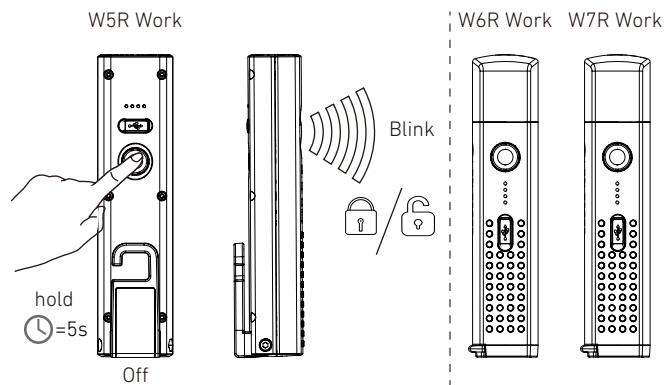


Type-C to Type-C
Battery Type: 18650
Chemical System Of Battery: Li-ion

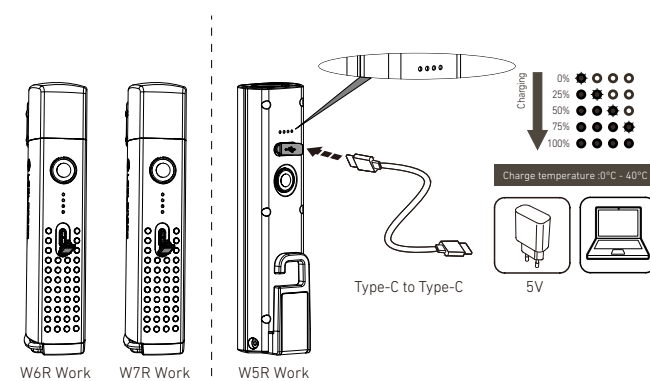
W5R Work



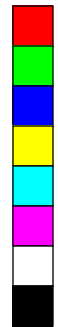
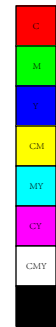
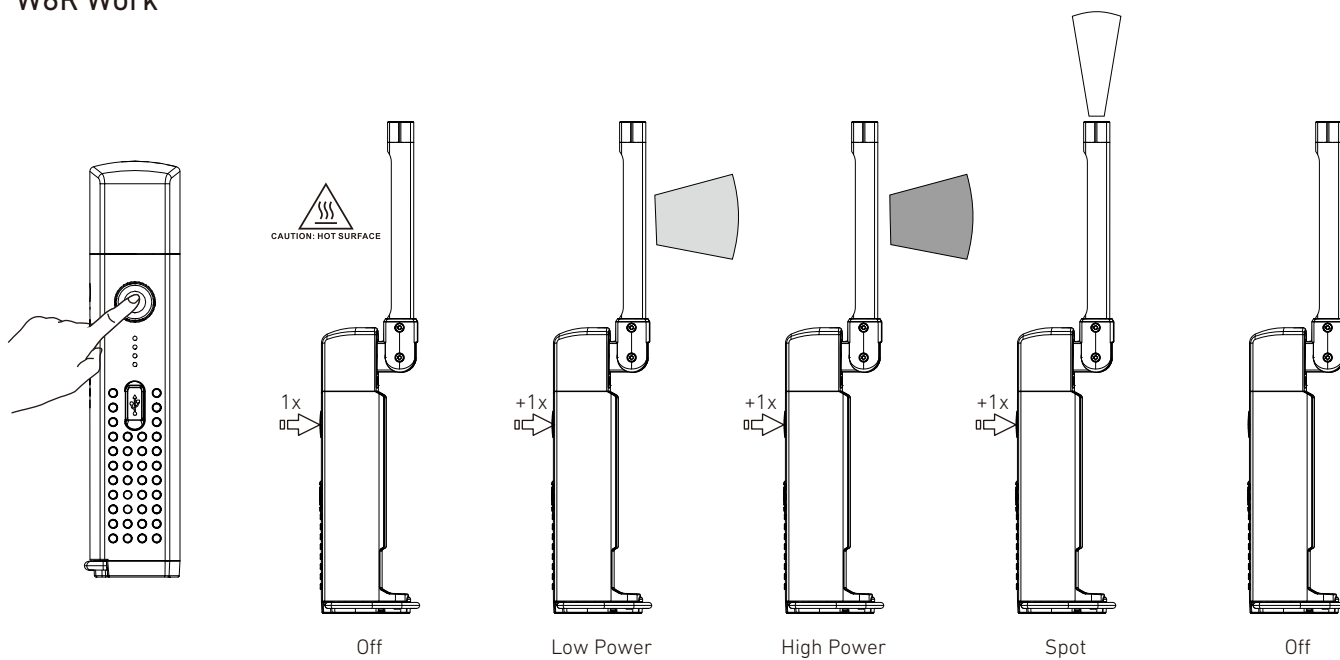
Transportation Lock



Charging System

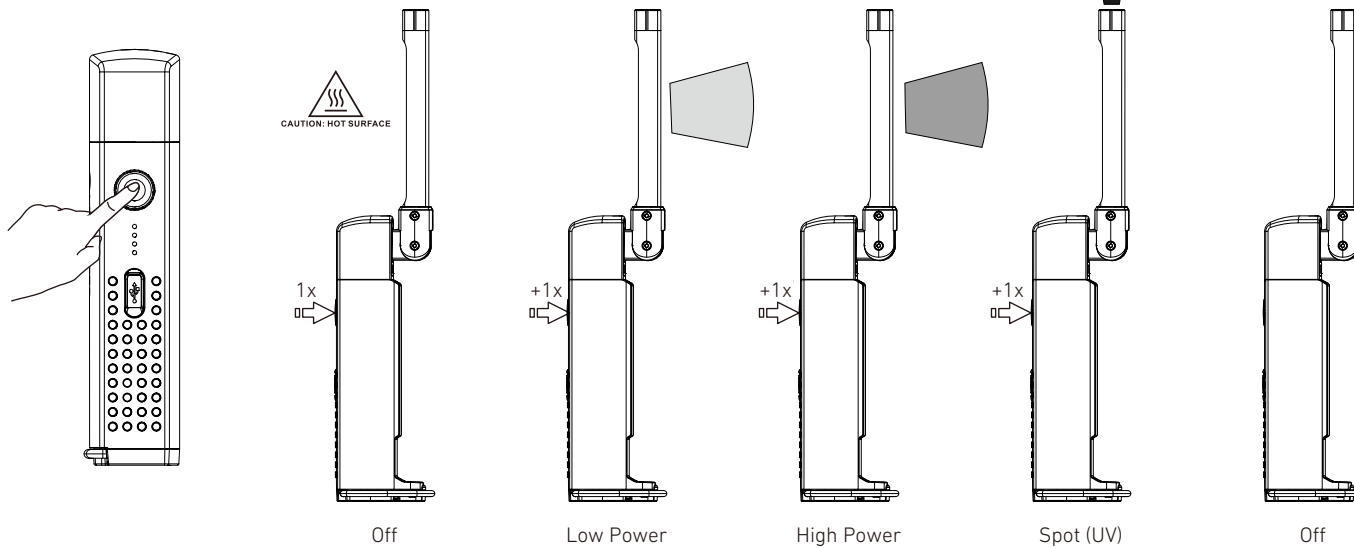


W6R Work

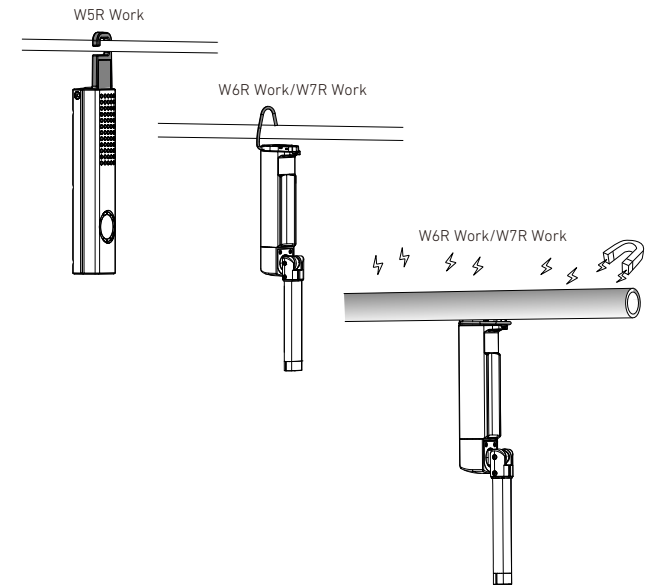


LEDLENSER W5R Work/W6R Work/W7R Work

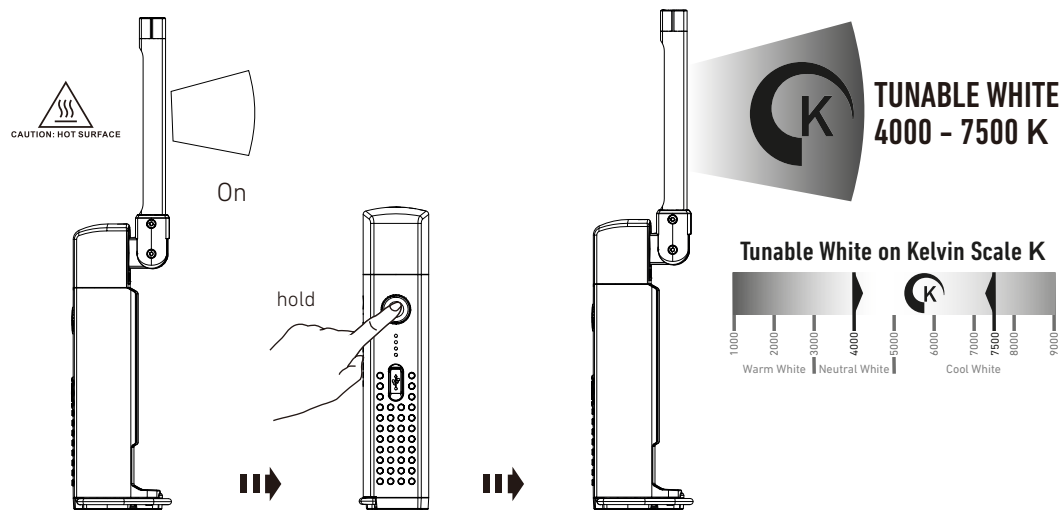
W7R Work



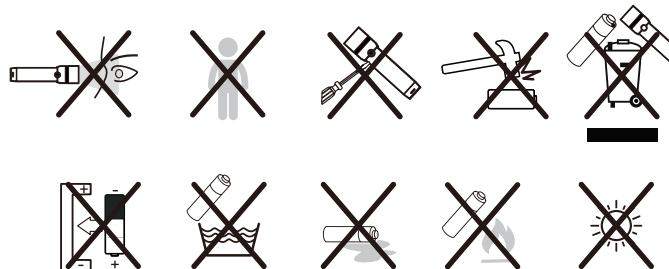
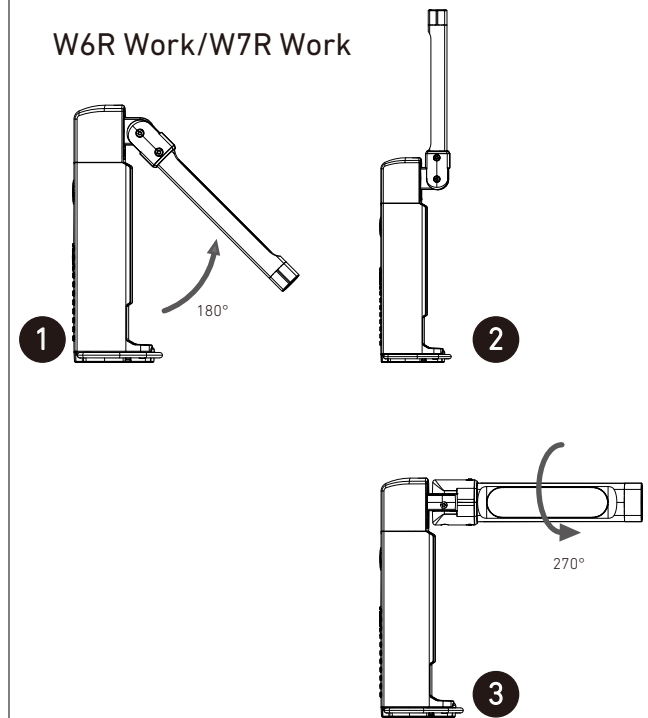
W5R Work/W6R Work/W7R Work



W7R Work



W6R Work/W7R Work



Ledlenser GmbH & Co. KG
Kronenstrasse 5-7 • 42699 Solingen • Germany
Phone +49 212/5948-0 Fax +49 212/5948-200
info@ledlenser.com



W5R Work
W6R Work
W7R Work_V0
2022.08.08
1J12A0512

