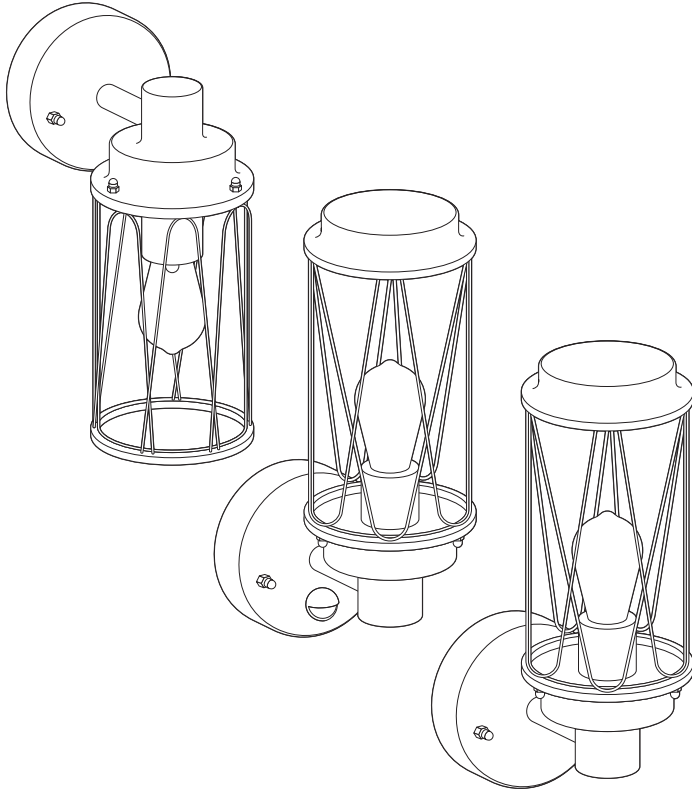


---

## ENDURA® CLASSIC CAGE

---



	EAN	W max.	$\theta_{amb}$ (°C)	V~	Hz
ENDURA® CLASSIC CAGE UP E27 BK	4058075206403	60 W	-20...+40	220-240	50/60
ENDURA® CLASSIC CAGE UP SENSOR E27 BK	4058075206427	60 W	-20...+40	220-240	50/60
ENDURA® CLASSIC CAGE DOWN E27 BK	4058075206441	60 W	-20...+40	220-240	50/60

**CAGE UP** **CAGE UP SENSOR**

1370g **1x** 1395g

**CAGE DOWN**

2x 2x 2x

1255g

**CAGE UP / CAGE UP SENSOR**

303/309

171 125

mm

**CAGE DOWN**

286

171 125

mm

**1**

ON ON ON ON

OFF OFF OFF OFF

⚡

ON

OFF

**2**

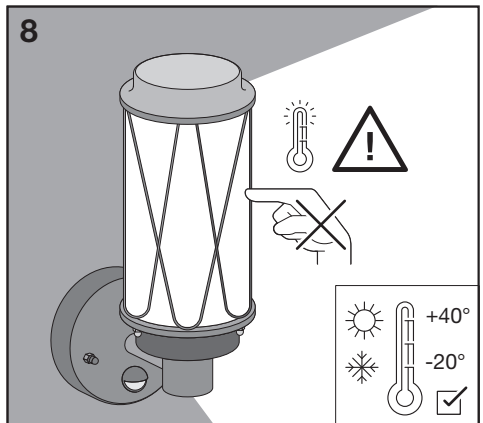
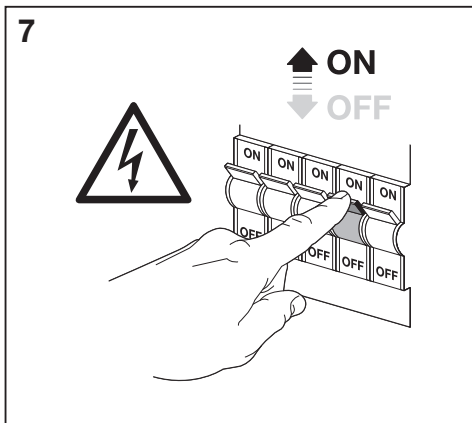
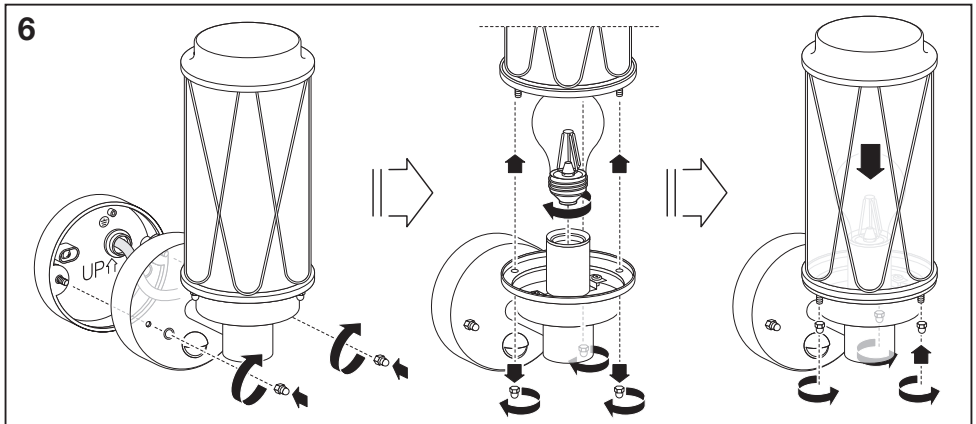
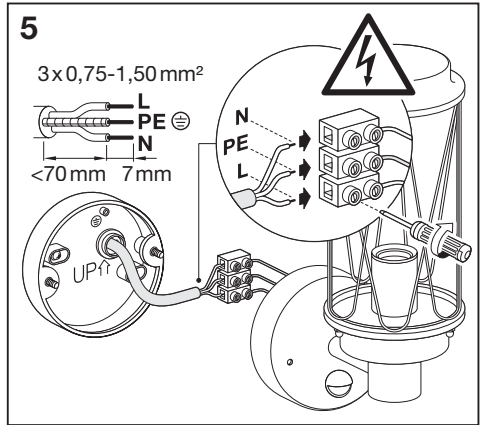
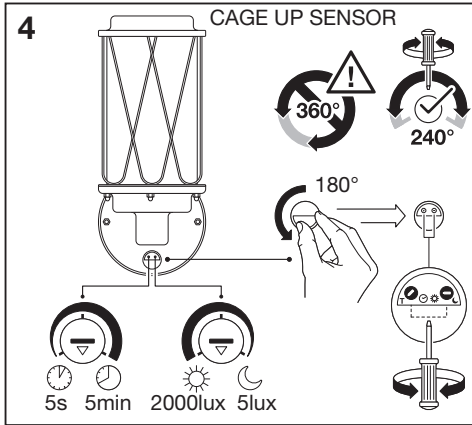
UP ↑

**3**

a

b

c





C10449057  
G11051741  
30.10.2018



LEDVANCE GmbH  
Steinerne Furt 62  
86167 Augsburg, Germany  
[www.ledvance.com](http://www.ledvance.com)