



Paulmann

### Safety Instructions

1, 2, 3, 4, 5, 6, 10, 11, 13, 14, 19,  
22, 23, 24, 25, 26, 33, 34



Info

[www.paulmann.com](http://www.paulmann.com)

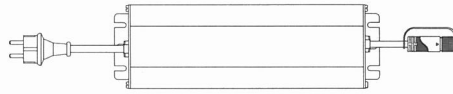
Paulmann Licht GmbH  
Quezinger Feld 2  
31832 Springe  
Germany

[www.paulmann.com](http://www.paulmann.com)

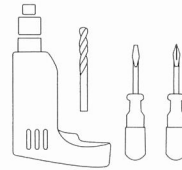
Art.-Nr.: 988.49  
988.50



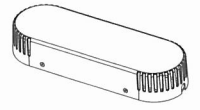
988.49/988.50



1X



not incl.

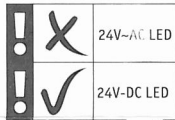
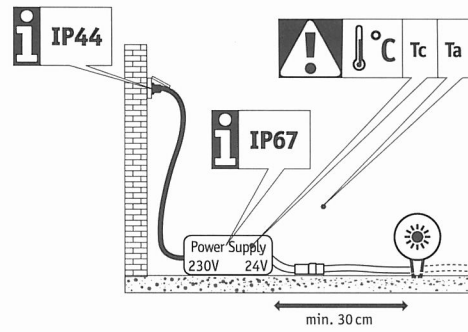
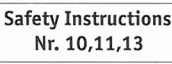
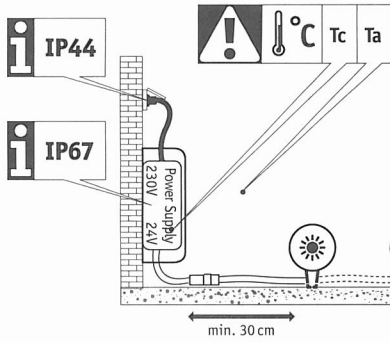


(+MA 326) PAX 05/17



Paulmann  
Art.-Nr. 939.04

A

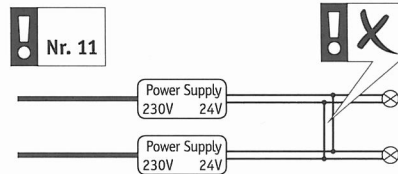
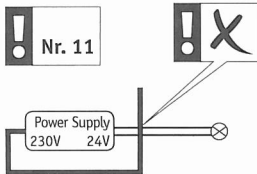
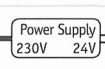


Power Supply 75W  
Art.-Nr.: 988.49

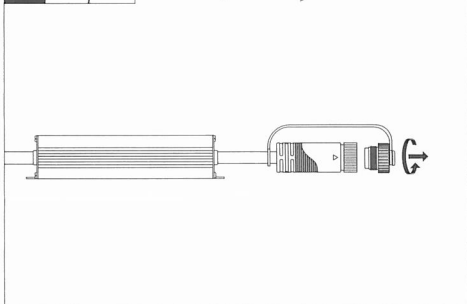
Power Supply 150W  
Art.-Nr.: 988.50



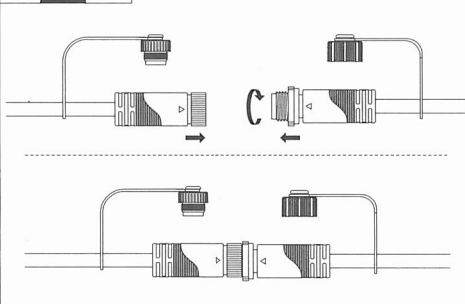
Safety Instructions  
Nr. 14,22,23,26



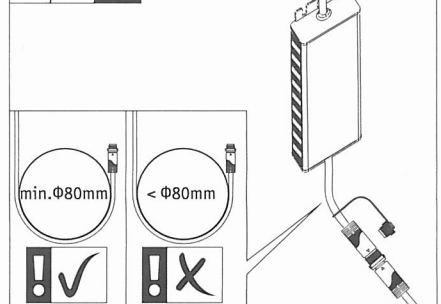
B1 B2 B3



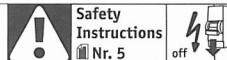
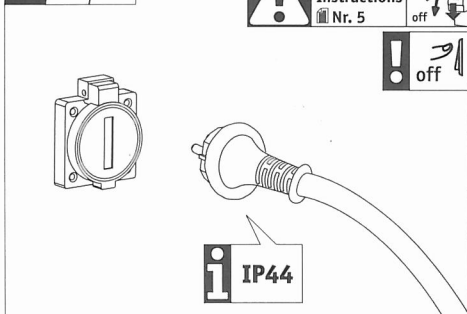
B1 B2 B3



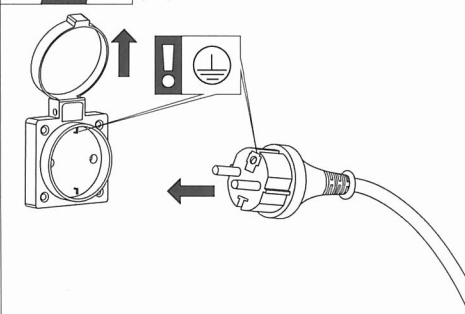
B1 B2 B3



C1 C2 C3



C1 C2 C3



C1 C2 C3

