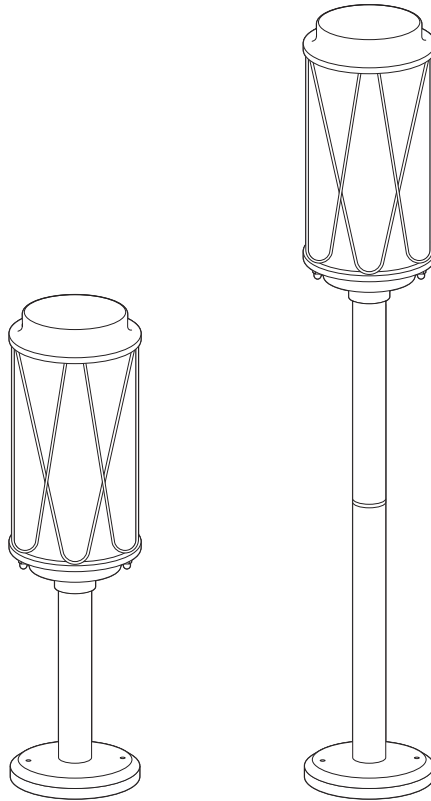
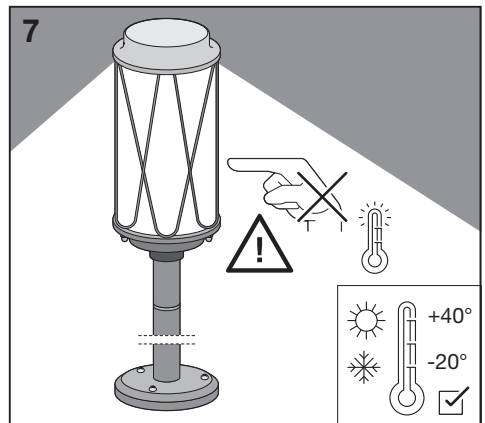
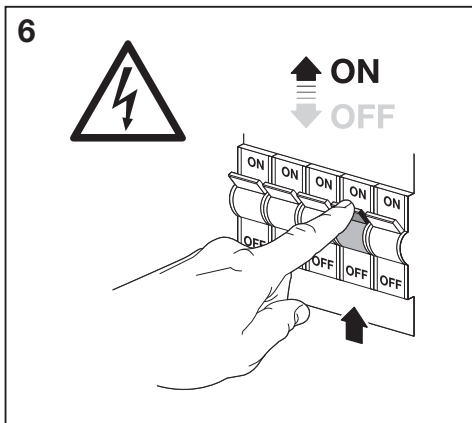
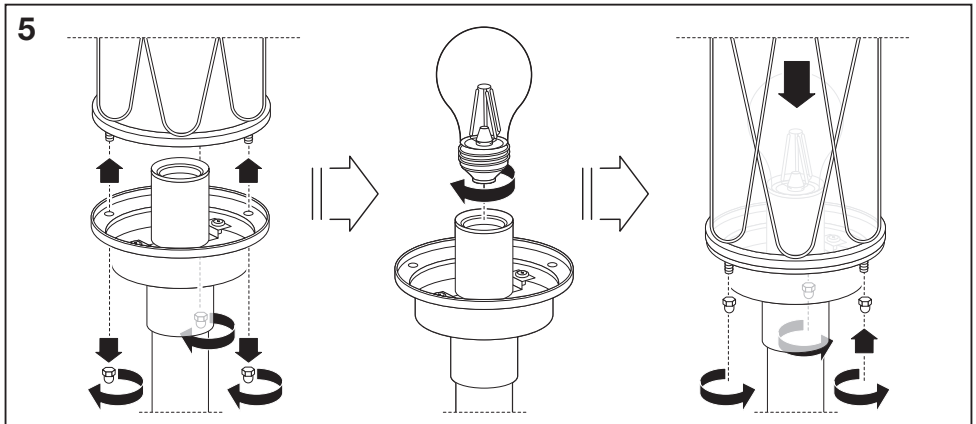
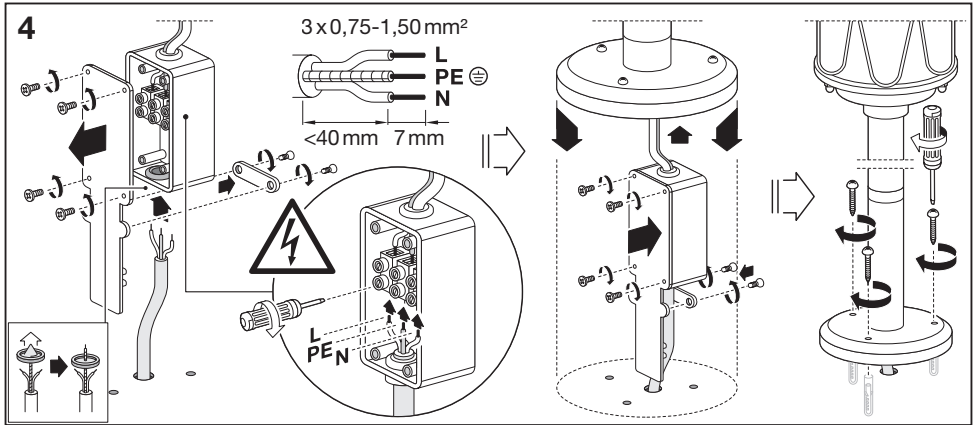

**ENDURA® CLASSIC
CAGE**



	EAN	W max.	°C	V~	Hz
ENDURA® CLASSIC CAGE 50CM E27 BK	4058075206465	60	-20...+40	220-240	50/60
ENDURA® CLASSIC CAGE 100CM E27 BK	4058075206489	60	-20...+40	220-240	50/60





LEDVANCE GmbH
Steinerne Furt 62
86167 Augsburg, Germany
www.ledvance.com