


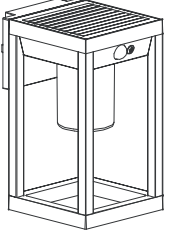

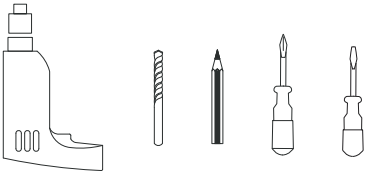
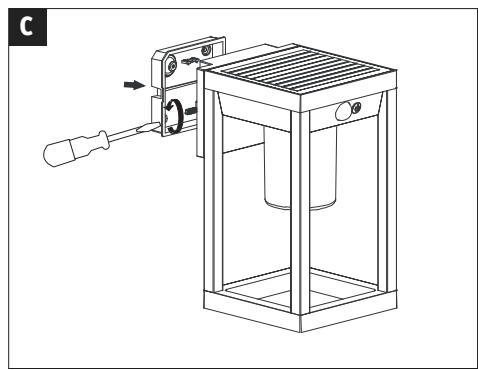
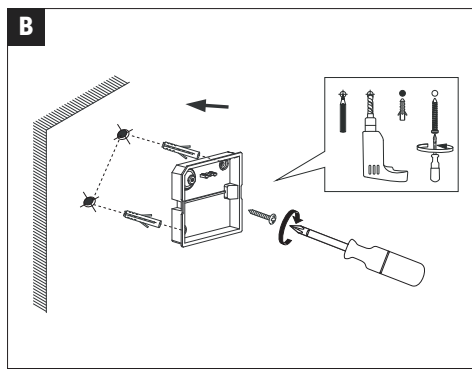
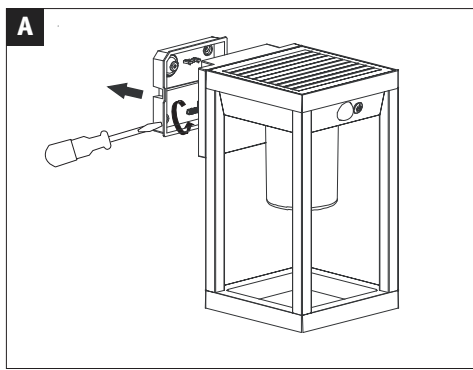
Art.-Nr.: 945.72

PSH 04/21

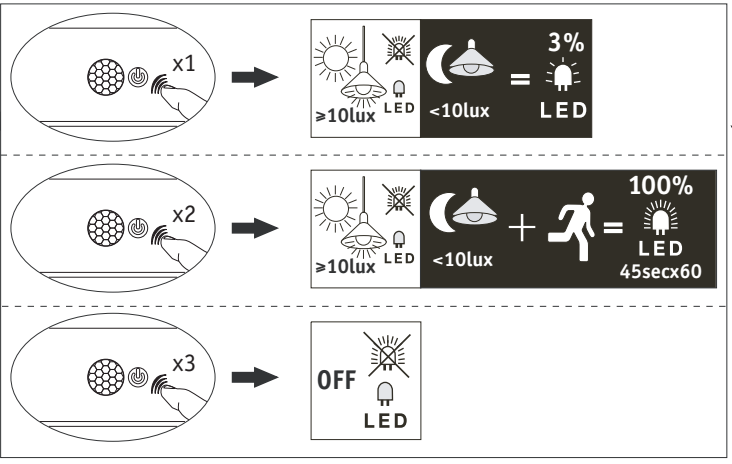
CE UK CA

Li-Ion

Incl.

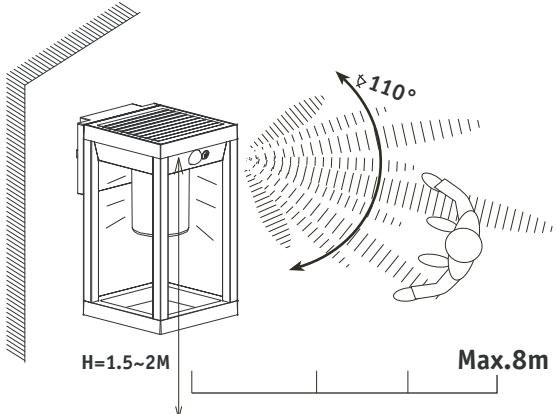






D



x1 → $\geq 10\text{lux}$ LED = 3% LED <math>< 10\text{lux}</math>
 x2 → $\geq 10\text{lux}$ LED + 100% LED 45secx60 <math>< 10\text{lux}</math>
 x3 → OFF LED

E

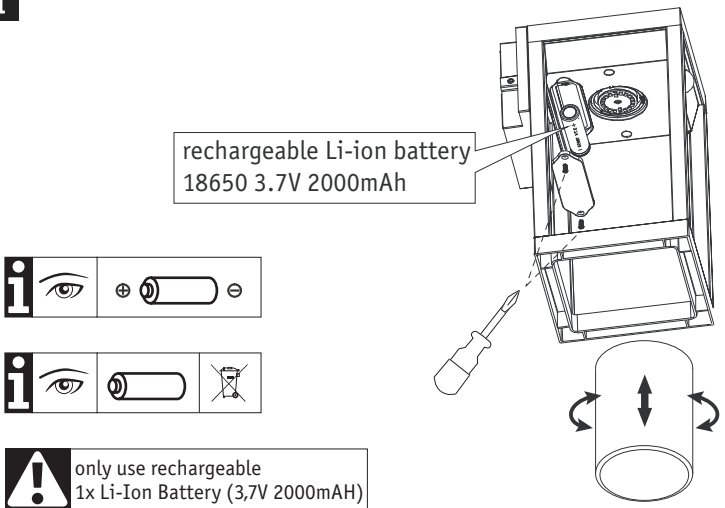





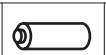

$\geq 10\text{lux}$ LED = 3% LED <math>< 10\text{lux}</math> + 100% LED 45secx60 <math>< 10\text{lux}</math>

H=1.5-2M Max. 8m

i

rechargeable Li-ion battery
18650 3.7V 2000mAh



i  
i   

! only use rechargeable
1x Li-Ion Battery (3,7V 2000mAh)