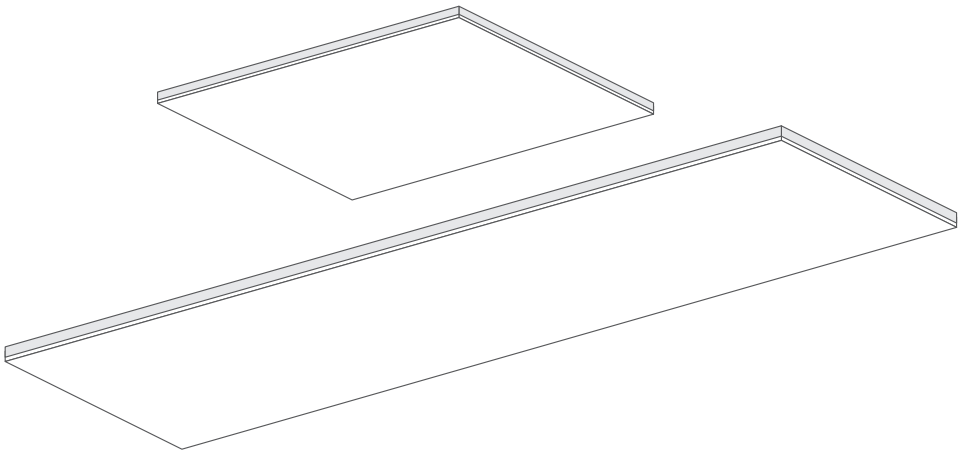
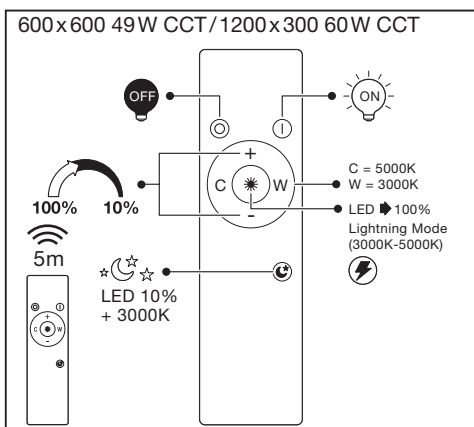
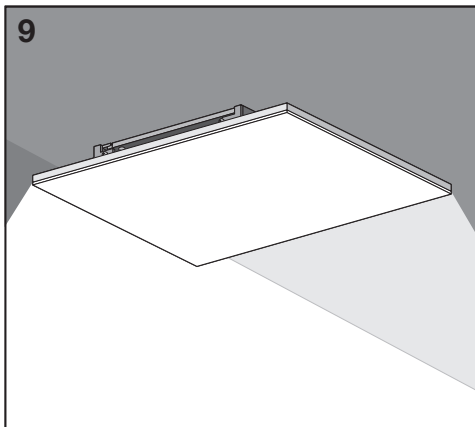
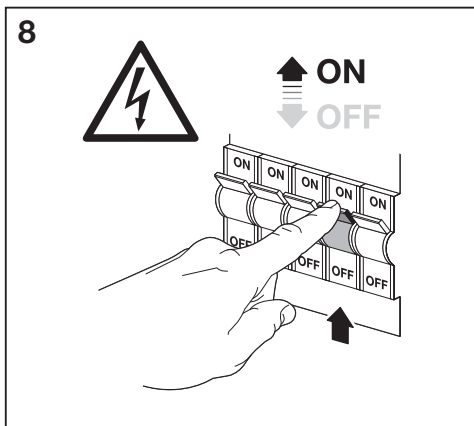
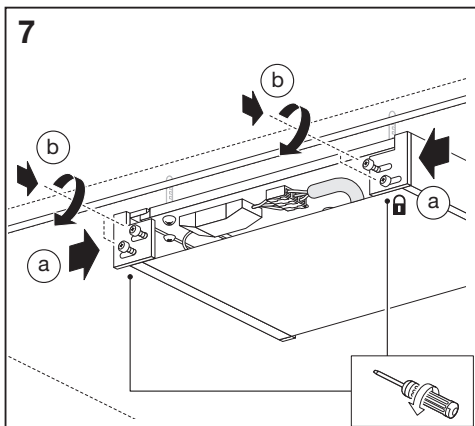
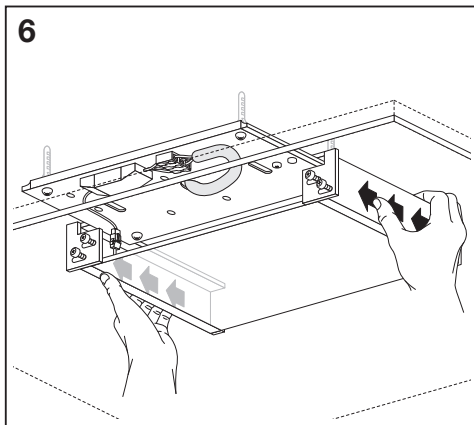
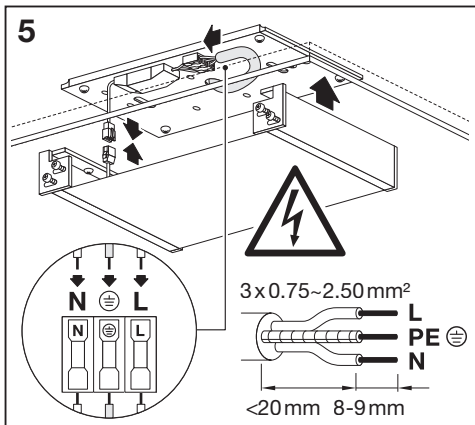

PLANON FRAMELESS



	EAN	W	lm	K	Δ (°C)	V~	mA	Hz	PF
PLANON FRAMELESS 600x600 49 W 830	4058075257436	49	2700	3000	-25...+35	220-240	240	50/60	>0.9
PLANON FRAMELESS 600x600 49 W CCT	4058075257450	49	3100	3000-5000	-25...+35	220-240	240	50/60	>0.9
PLANON FRAMELESS 1200x300 60 W 830	4058075257276	60	2900	3000	-25...+35	220-240	240	50/60	>0.9
PLANON FRAMELESS 1200x300 60 W CCT	4058075257290	60	3300	3000-5000	-25...+35	220-240	240	50/60	>0.9





C10449057
G11072340
27.03.2019



LEDVANCE GmbH
Steinerne Furt 62
86167 Augsburg, Germany
www.ledvance.com