




Paulmann


Safety Instructions
 1,2,3,4,5,6,8,12,16,17,
 18,19,20,22,24,29,31,
 32,33,34



31.08.2021 | 01.09.2021

ENERGY LABEL 874/2012 | ENERGY LABEL 2019/2015

A++ - A | F




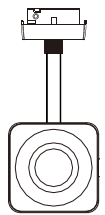


www.paulmann.com/symbols


Paulmann Licht GmbH
 Quezinger Feld 2
 31832 Springe
 Germany

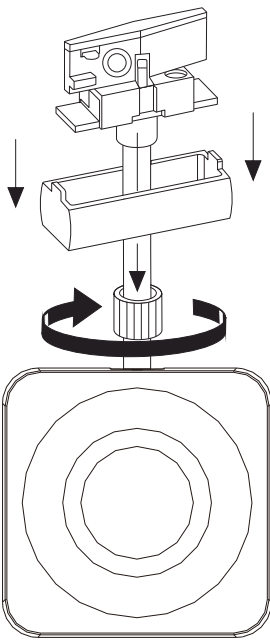
 www.paulmann.com


Art.-Nr.: 955.10
 955.11
 969.23
 969.41
 (+MA326) PH 12/20

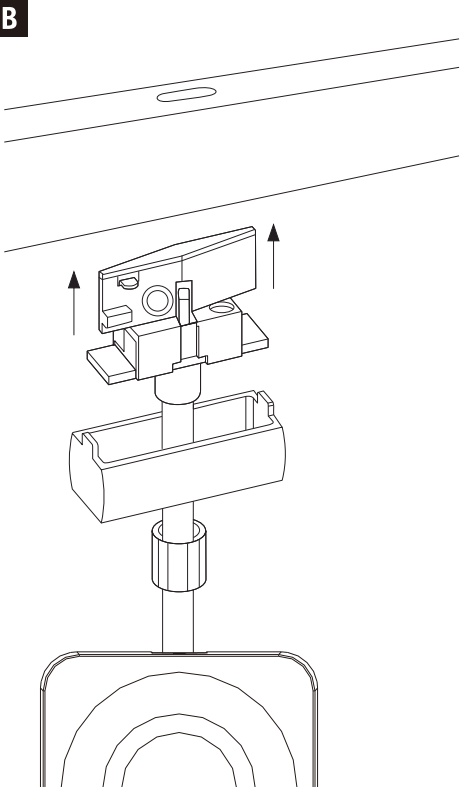
A

 Safety Instructions Nr.19,20


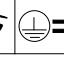





off 

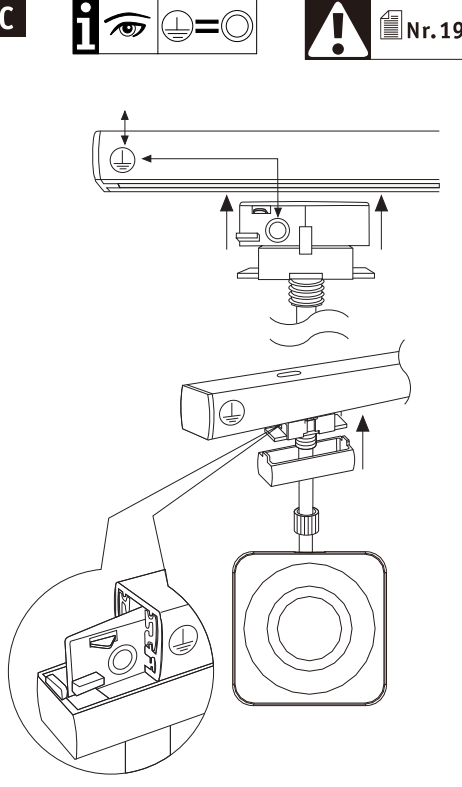
B



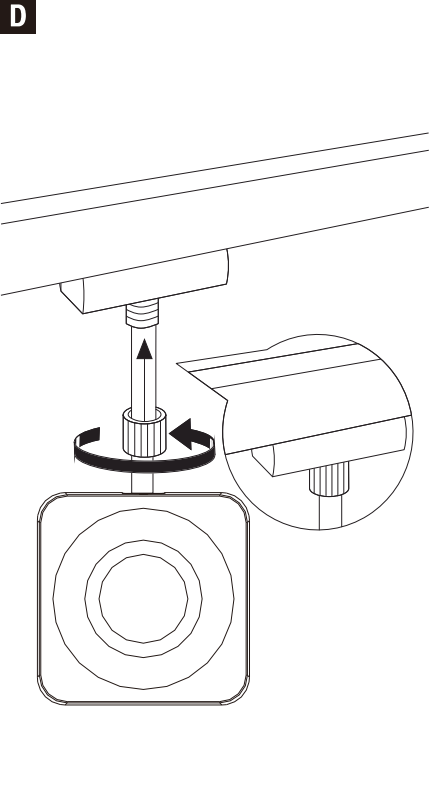
C

   = 


 Nr.19



D



E

 on

0-350°

90°

