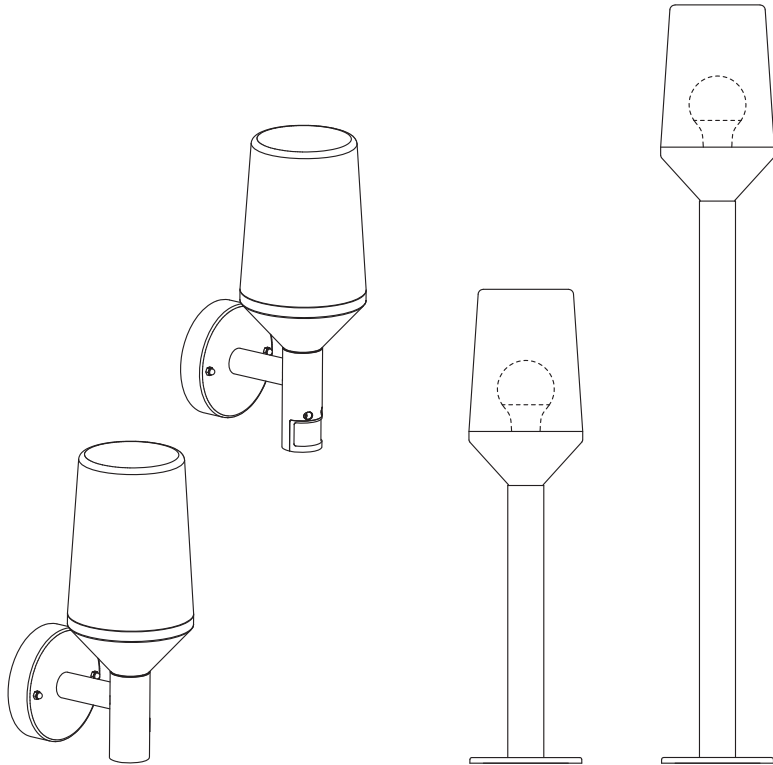



ENDURA® CLASSIC





	EAN	W	⊖ (°C)	V~	Hz
ENDURA CLASSIC CALICE WALL E27 ST	4058075477957	max. 60	-20...+40	220-240	50/60
ENDURA CLASSIC CALICE WALL S E27 ST	4058075477971	max. 60	-20...+40	220-240	50/60
ENDURA CLASSIC CALICE 50CM E27 ST	4058075477995	max. 60	-20...+40	220-240	50/60
ENDURA CLASSIC CALICE 80CM E27 ST	4058075478015	max. 60	-20...+40	220-240	50/60

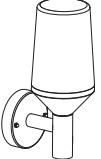


1x

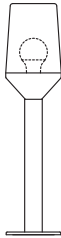



900 g
 4058075477957


980 g
 4058075477995

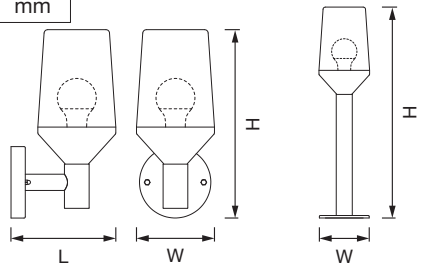

950 g
 4058075477971


1100 g
 4058075478015


 2x 
 2x 


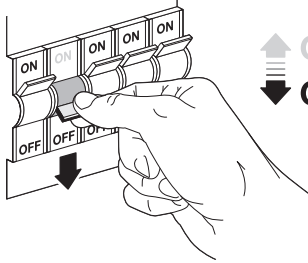

 3x 
 3x 



mm



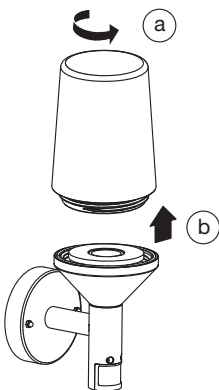
	L	W	H
CALICE WALL	161	120	290
CALICE WALL SENSOR	161	120	305
CALICE 50CM POST	120	120	500
CALICE 80CM POST	120	120	800

1

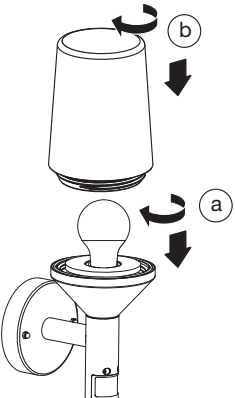



 ON
 OFF

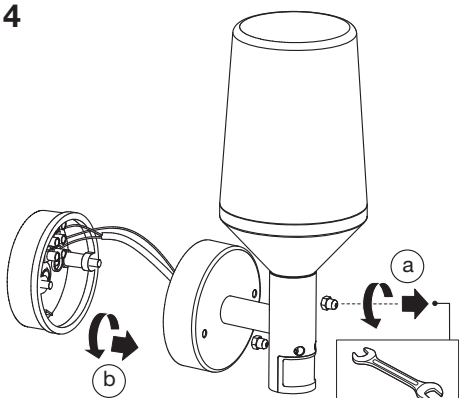
2

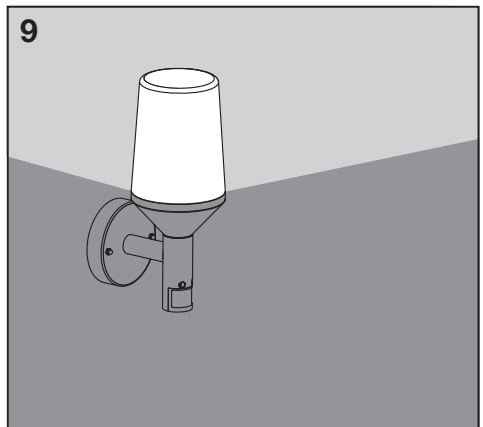
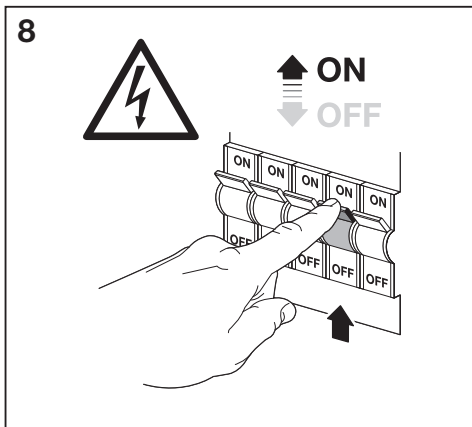
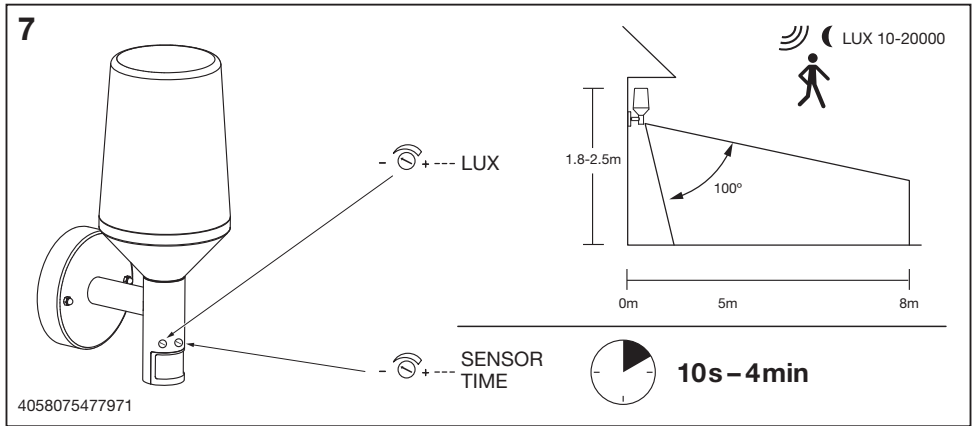
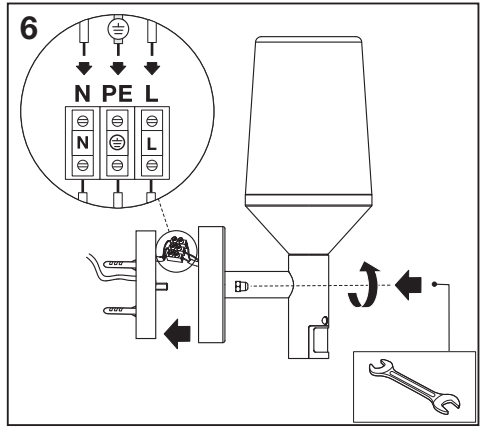
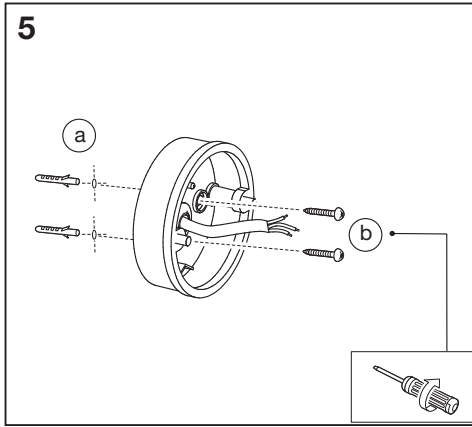


3



4







CE



IP44 RoHS

C10449057
G11100695
14.07.2020



LEDVANCE GmbH
Steinerne Furt 62
86167 Augsburg, Germany
www.ledvance.com