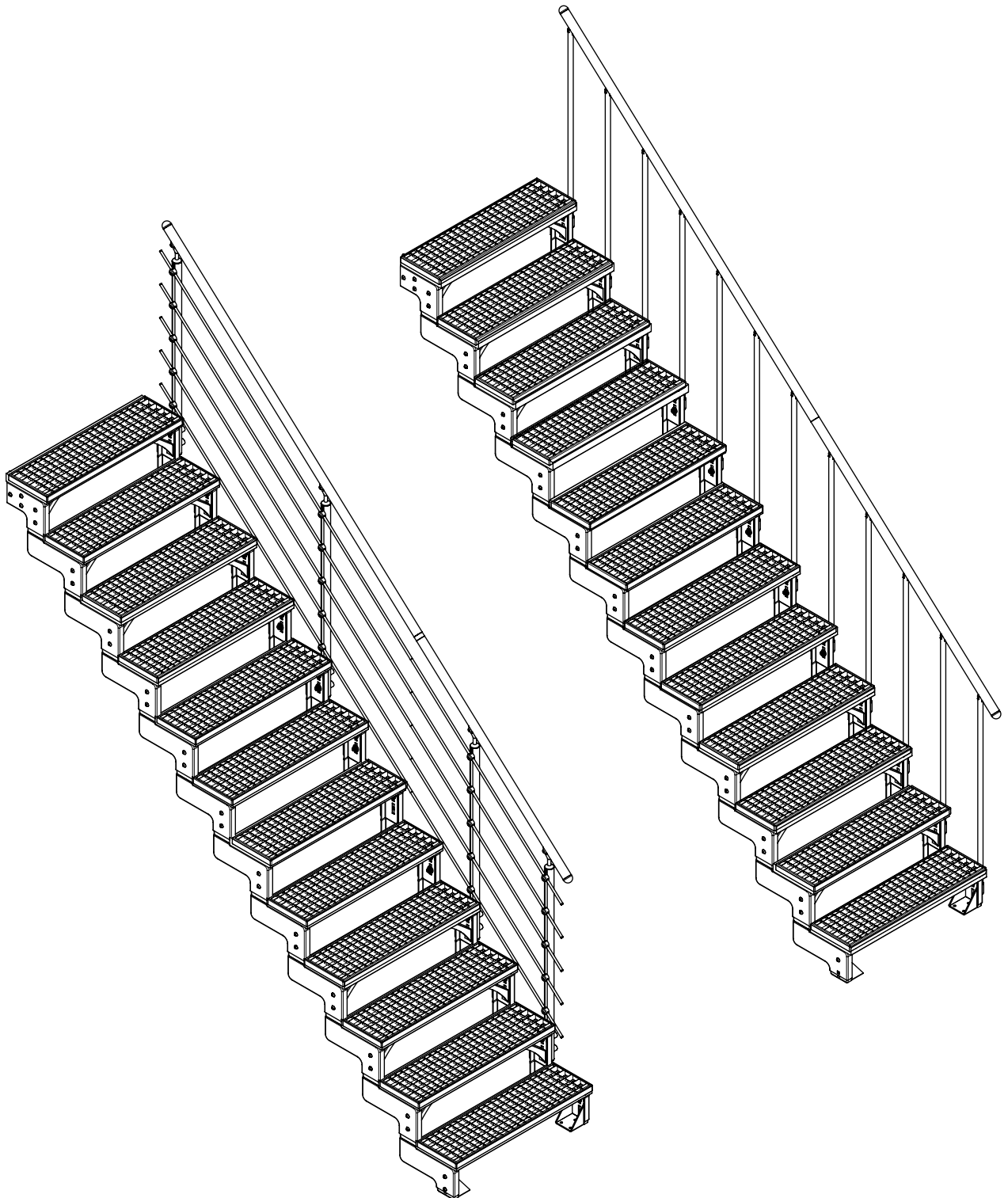


# GARDENTOP

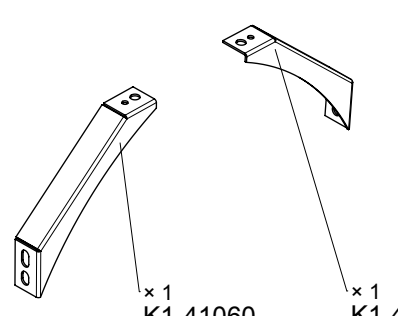


## Gitterrost

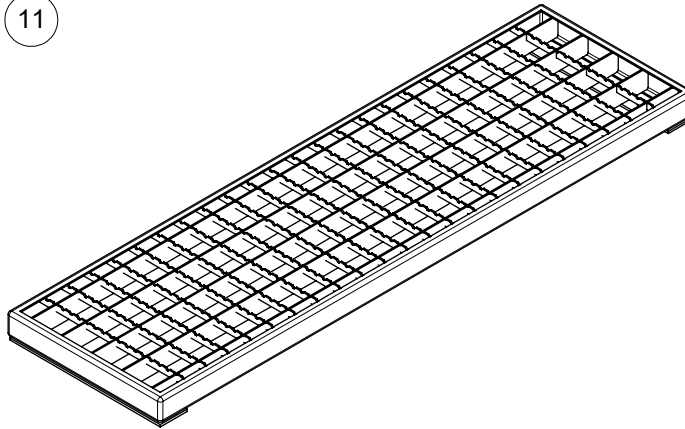
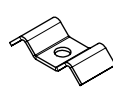
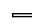






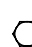


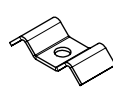
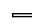






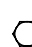


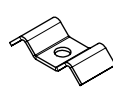
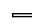






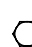


Montageanleitung  
Installation instruction



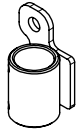
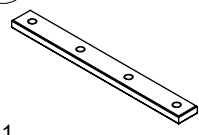
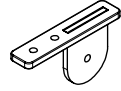

<b>68015</b>		<b>Starter-Set Start kit</b>			
<p>1 2</p> <p>x 1 K1-41931      x 1 K1-41930</p>		<p>7 8</p> <p>x 1 K1-41911      x 1 K1-41910</p>		<p>5</p> <p>x 2 K2-41900</p>	
<p>6</p> <p>x 2 K1-41940</p>		<p>40</p> <p>x 14 K3-02045 M10x25</p>		<p>41</p> <p>x 2 K3-04110 Ø10</p>	
<p>42</p> <p>x 8 K3-04198 Ø10</p>		<p>43</p> <p>x 14 K3-03051 M10</p>		<p>44</p> <p>x 12 K3-08001 Ø12 x 60</p>	
<p>45</p> <p>x 12 K3-06070 Ø10 x 60</p>		<p>59</p> <p>x 12 K3-06269 Ø6 x 35</p>		<p>63</p> <p>x 4 K3-05022 M8 x 20</p>	
<p>64</p> <p>x 12 K3-04010 Ø10,5</p>					

<b>68016</b>		<b>Ergänzungs-Set 1 step kit</b>			
<p>3 4</p> <p>x 1 K1-41921      x 1 K1-41920</p>		<p>40</p> <p>x 4 K3-02045 M10 x 25</p>		<p>42</p> <p>x 4 K3-04198 Ø10</p>	
		<p>43</p> <p>x 4 K3-03051 M10</p>		<p>59</p> <p>x 6 K3-06269 Ø6 x 35</p>	

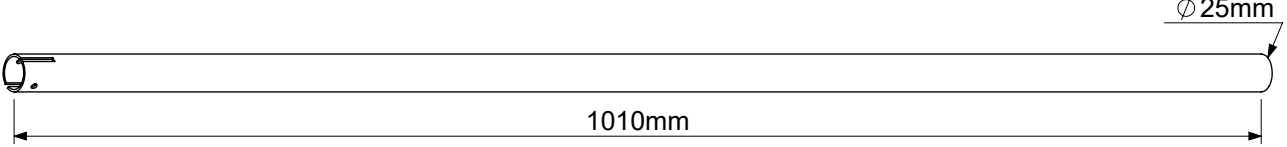
<b>68020</b>	<b>Stufen-Winkel</b> <i>Step support 1 step</i>
<div style="display: flex; justify-content: space-between; align-items: center;"> <div style="display: flex; gap: 10px;"> <span style="border: 1px solid black; border-radius: 50%; padding: 2px 5px;">9</span> <span style="border: 1px solid black; border-radius: 50%; padding: 2px 5px;">10</span> </div> <div style="text-align: center;">  <p style="margin-top: 10px;">x1 K1-41060      x1 K1-41061</p> </div> <div style="border: 1px solid black; padding: 10px; text-align: center;">  <p>If more than 6 steps: Add</p> <div style="display: flex; justify-content: center; gap: 10px;"> <span style="border: 1px solid black; border-radius: 50%; padding: 2px 5px;">9</span> + <span style="border: 1px solid black; border-radius: 50%; padding: 2px 5px;">10</span> </div> <p>Wenn mehr als 6 Stufen: hinzufügen</p> <div style="display: flex; justify-content: center; gap: 10px;"> <span style="border: 1px solid black; border-radius: 50%; padding: 2px 5px;">9</span> + <span style="border: 1px solid black; border-radius: 50%; padding: 2px 5px;">10</span> </div> <p>hinzufügen</p> <p style="margin-top: 10px;">Max. 6 Satz   sets</p> </div> <div style="border: 1px solid black; padding: 5px; text-align: center;"> <span style="border: 1px solid black; border-radius: 50%; padding: 2px 5px;">59</span>  <p style="margin-top: 5px;">x 1 K3-06269 Ø6 x 35</p> </div> </div>	

	<b>Gitterrost-Stufe</b> <i>Grating step</i> <b>80 cm / 100 cm</b>						
<div style="display: flex; align-items: center;"> <span style="border: 1px solid black; border-radius: 50%; padding: 2px 5px; margin-right: 10px;">11</span>  </div>	<table border="1" style="width: 100%; border-collapse: collapse;"> <tr> <td style="width: 25%; padding: 5px;"> <span style="border: 1px solid black; border-radius: 50%; padding: 2px 5px;">44</span>  <p style="margin-top: 10px;">x 2</p> </td> <td style="width: 25%; padding: 5px;"> <span style="border: 1px solid black; border-radius: 50%; padding: 2px 5px;">55</span>   <p style="margin-top: 10px;">x 4 K3-04016 Ø6</p> </td> <td style="width: 25%; padding: 5px;"> <span style="border: 1px solid black; border-radius: 50%; padding: 2px 5px;">56</span>   <p style="margin-top: 10px;">x 4 K3-03046 M6</p> </td> </tr> <tr> <td style="padding: 5px;"> <span style="border: 1px solid black; border-radius: 50%; padding: 2px 5px;">57</span>   <p style="margin-top: 10px;">x 4 K3-02220 M6 x 20</p> </td> <td style="padding: 5px;"> <span style="border: 1px solid black; border-radius: 50%; padding: 2px 5px;">58</span>   <p style="margin-top: 10px;">x 2 K3-02386 M8 x 40</p> </td> <td style="padding: 5px;"> <span style="border: 1px solid black; border-radius: 50%; padding: 2px 5px;">61</span>   <p style="margin-top: 10px;">x 2 K3-03047 M8</p> </td> </tr> </table>	<span style="border: 1px solid black; border-radius: 50%; padding: 2px 5px;">44</span>  <p style="margin-top: 10px;">x 2</p>	<span style="border: 1px solid black; border-radius: 50%; padding: 2px 5px;">55</span>   <p style="margin-top: 10px;">x 4 K3-04016 Ø6</p>	<span style="border: 1px solid black; border-radius: 50%; padding: 2px 5px;">56</span>   <p style="margin-top: 10px;">x 4 K3-03046 M6</p>	<span style="border: 1px solid black; border-radius: 50%; padding: 2px 5px;">57</span>   <p style="margin-top: 10px;">x 4 K3-02220 M6 x 20</p>	<span style="border: 1px solid black; border-radius: 50%; padding: 2px 5px;">58</span>   <p style="margin-top: 10px;">x 2 K3-02386 M8 x 40</p>	<span style="border: 1px solid black; border-radius: 50%; padding: 2px 5px;">61</span>   <p style="margin-top: 10px;">x 2 K3-03047 M8</p>
<span style="border: 1px solid black; border-radius: 50%; padding: 2px 5px;">44</span>  <p style="margin-top: 10px;">x 2</p>	<span style="border: 1px solid black; border-radius: 50%; padding: 2px 5px;">55</span>   <p style="margin-top: 10px;">x 4 K3-04016 Ø6</p>	<span style="border: 1px solid black; border-radius: 50%; padding: 2px 5px;">56</span>   <p style="margin-top: 10px;">x 4 K3-03046 M6</p>					
<span style="border: 1px solid black; border-radius: 50%; padding: 2px 5px;">57</span>   <p style="margin-top: 10px;">x 4 K3-02220 M6 x 20</p>	<span style="border: 1px solid black; border-radius: 50%; padding: 2px 5px;">58</span>   <p style="margin-top: 10px;">x 2 K3-02386 M8 x 40</p>	<span style="border: 1px solid black; border-radius: 50%; padding: 2px 5px;">61</span>   <p style="margin-top: 10px;">x 2 K3-03047 M8</p>					

**68031** *Steiggeländer für 6 Stufen*  
*Standard banister for 6 steps*

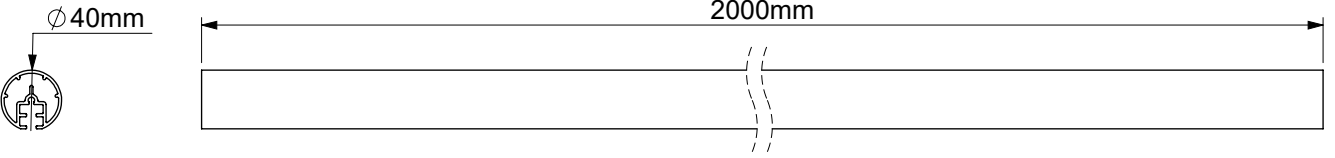
<p>14</p>  <p>× 6 K2-41052</p>	<p>15</p>  <p>× 1 K1-01221</p>	<p>16</p>  <p>× 6 K1-02130</p>	<p>17</p>  <p>× 2 K2-04040</p>	
---	---	---	---	--

18


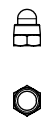




× 6  
K1-41056


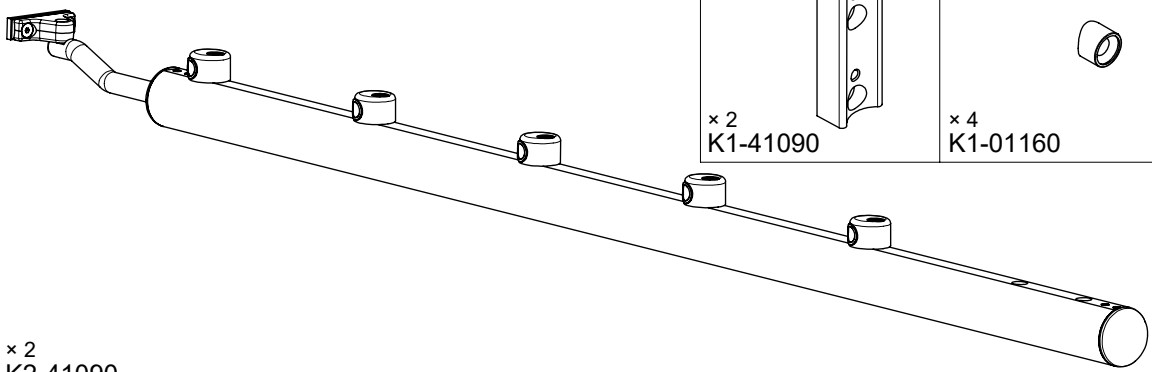


19



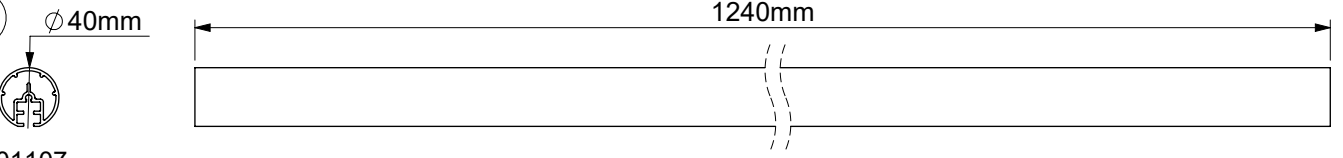
× 1  
K1-01100

<p>46</p>  <p>× 6 K3-01034 M4 x 30</p>	<p>47</p>  <p>× 6 K3-03004 M4</p>	<p>48</p>  <p>× 12 K3-05006 M6 x 8</p>	<p>53</p>  <p>× 4 K3-05050 M5 x 12</p>
---	--	--	--

**68040** *Steiggeländer PROVA Starter-Set für 4 Stufen*  
*PROVA banister start for 4 steps*

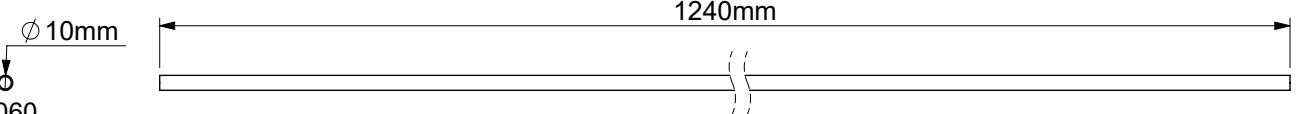
<p>17</p>  <p>× 2 K2-04040</p>	<p>20</p>  <p>× 2 K2-41090</p>	<p>21</p>  <p>× 2 K1-41090</p>	<p>22</p>  <p>× 4 K1-01160</p>
---	--	---	---

26


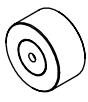
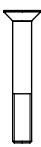


× 1  
K1-01107

27

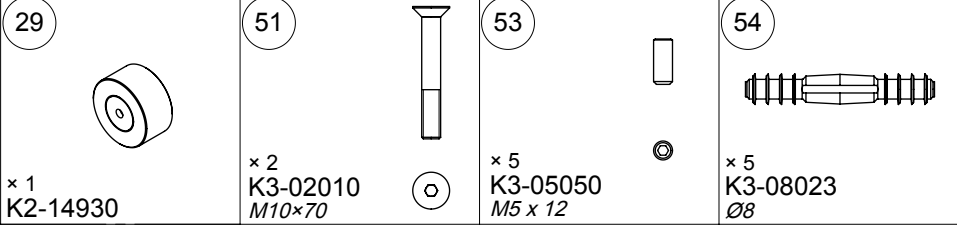
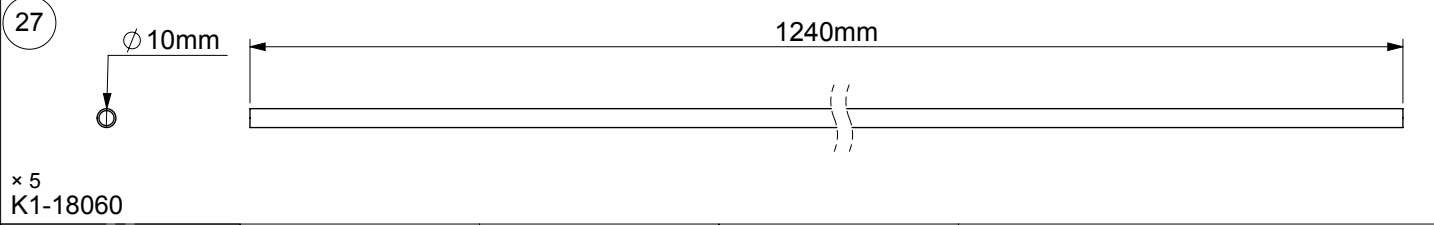
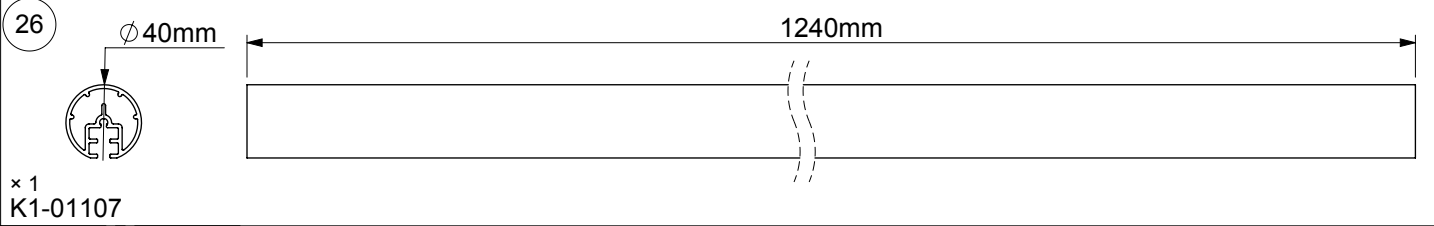
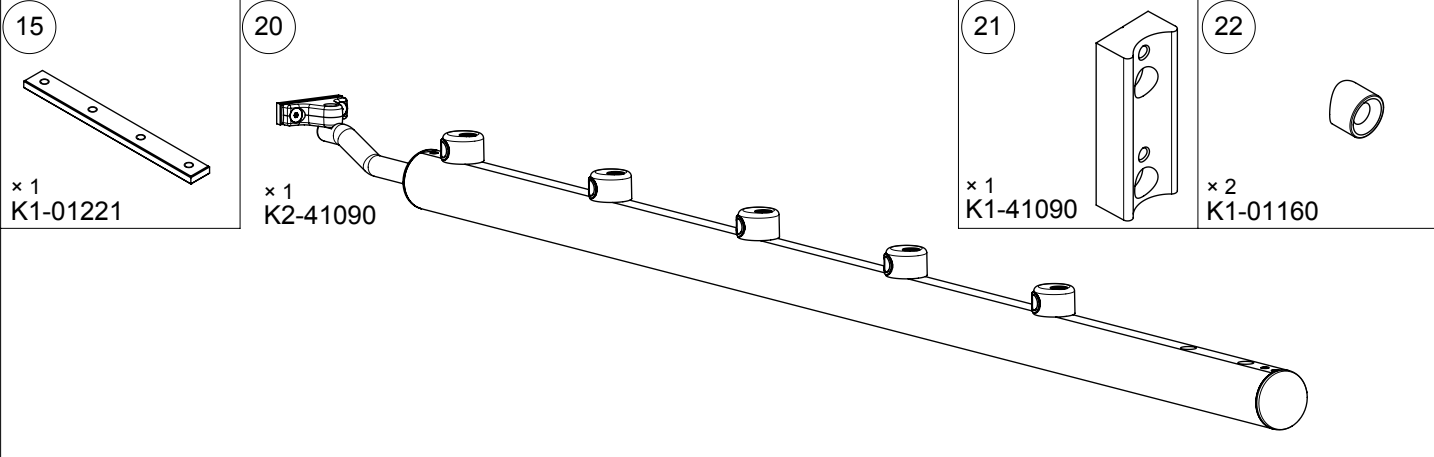


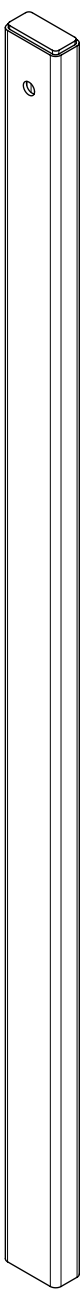
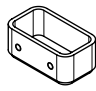
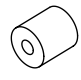


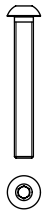



× 5  
K1-18060

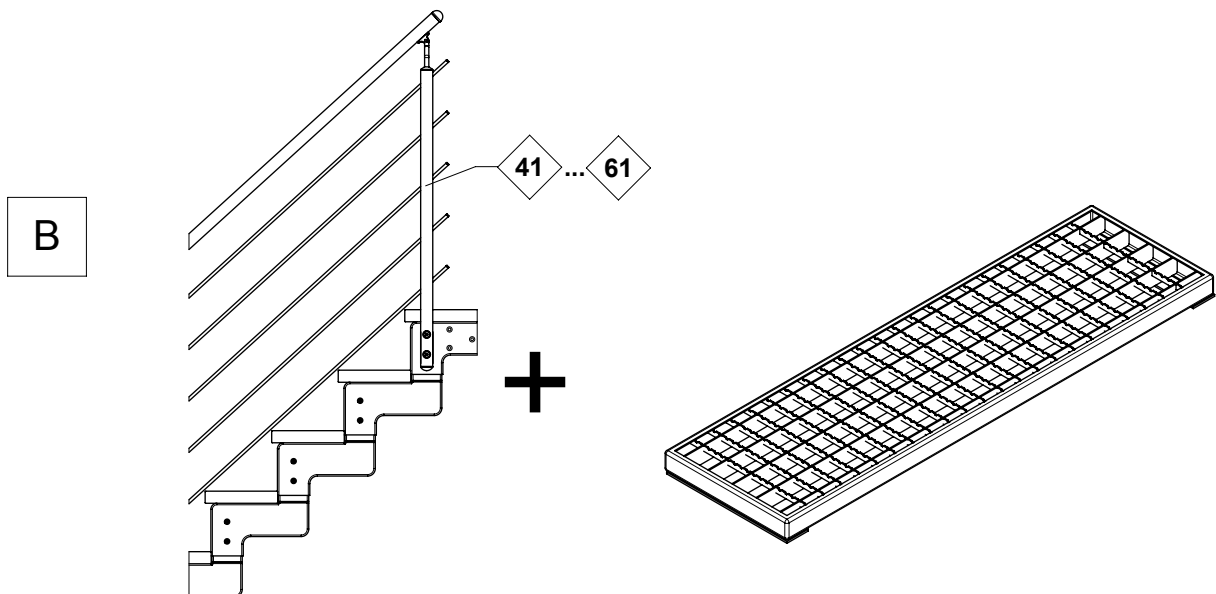
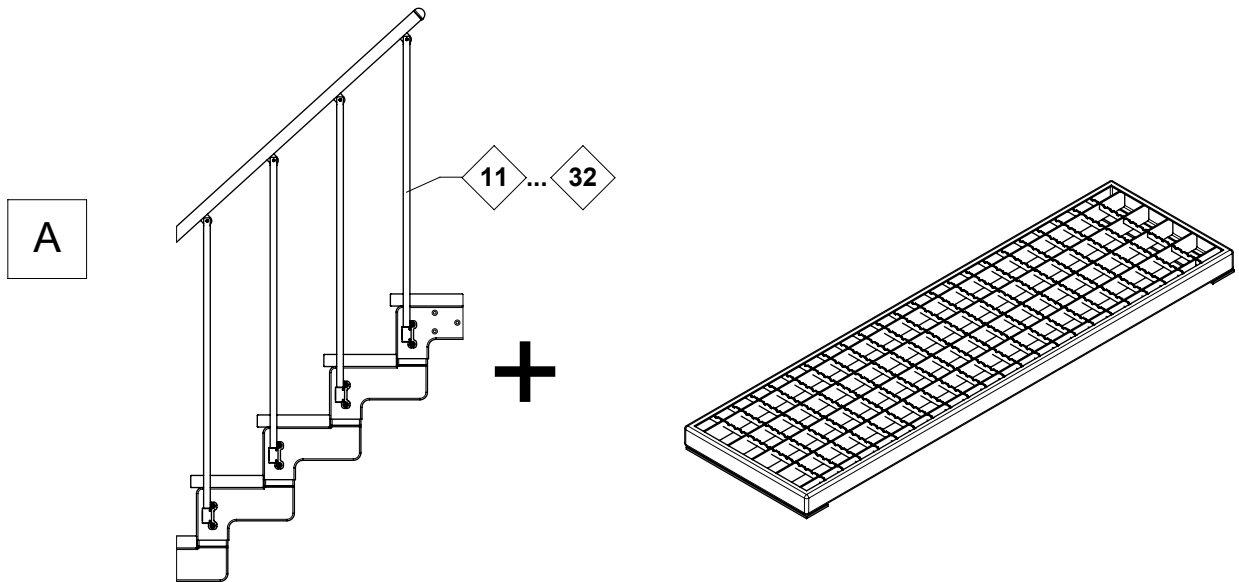
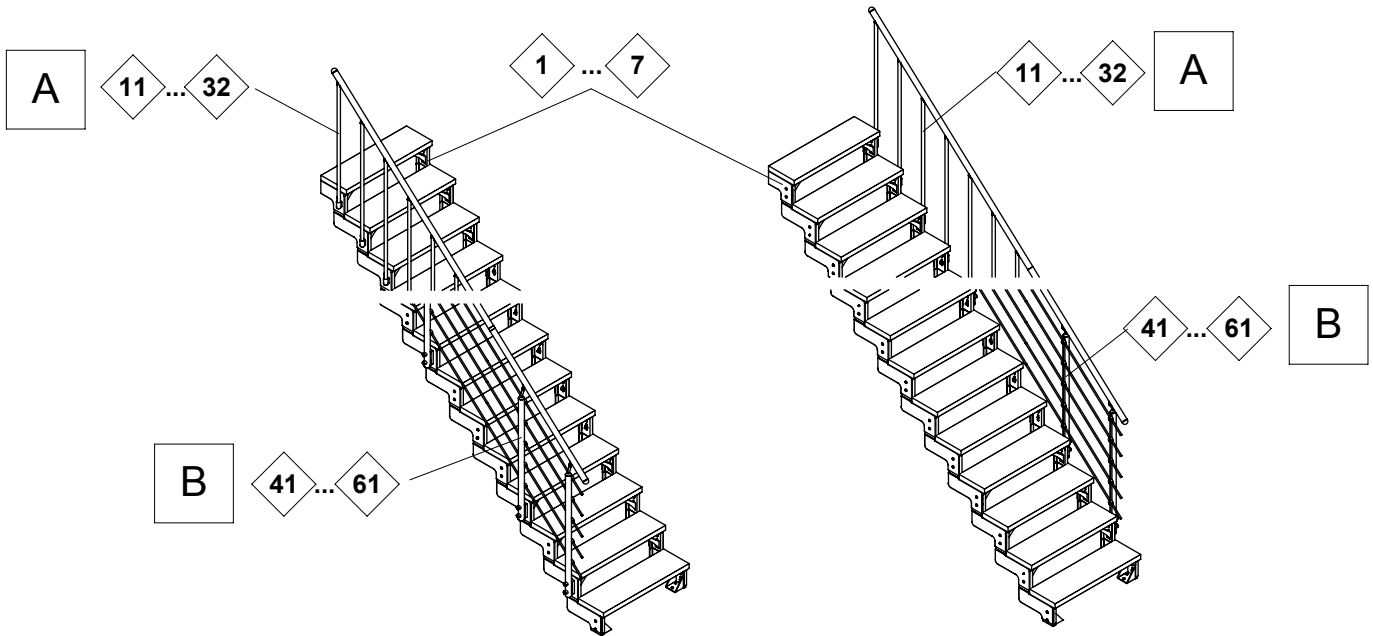
<p>28</p>  <p>× 10 K1-01010</p>	<p>29</p>  <p>× 1 K2-14930</p>	<p>51</p>  <p>× 4 K3-02010 M10 x 70</p>	
--	---	--	--

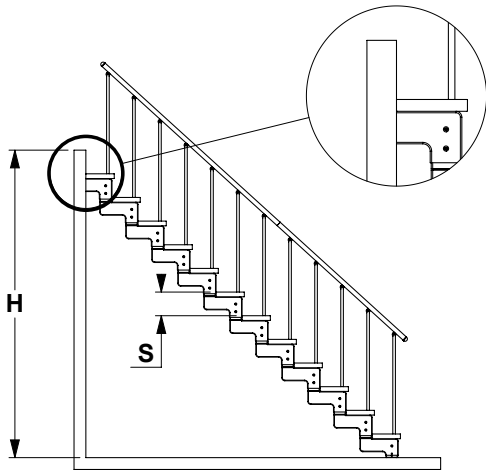
**68041**

**Steiggeländer PROVA Ergänzungs-Set für 4 Stufen**  
**PROVA banister extension for 4 steps**

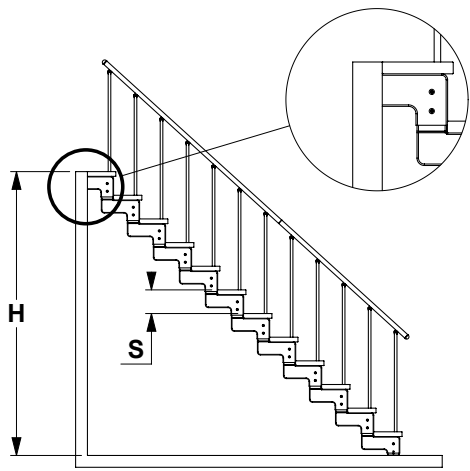
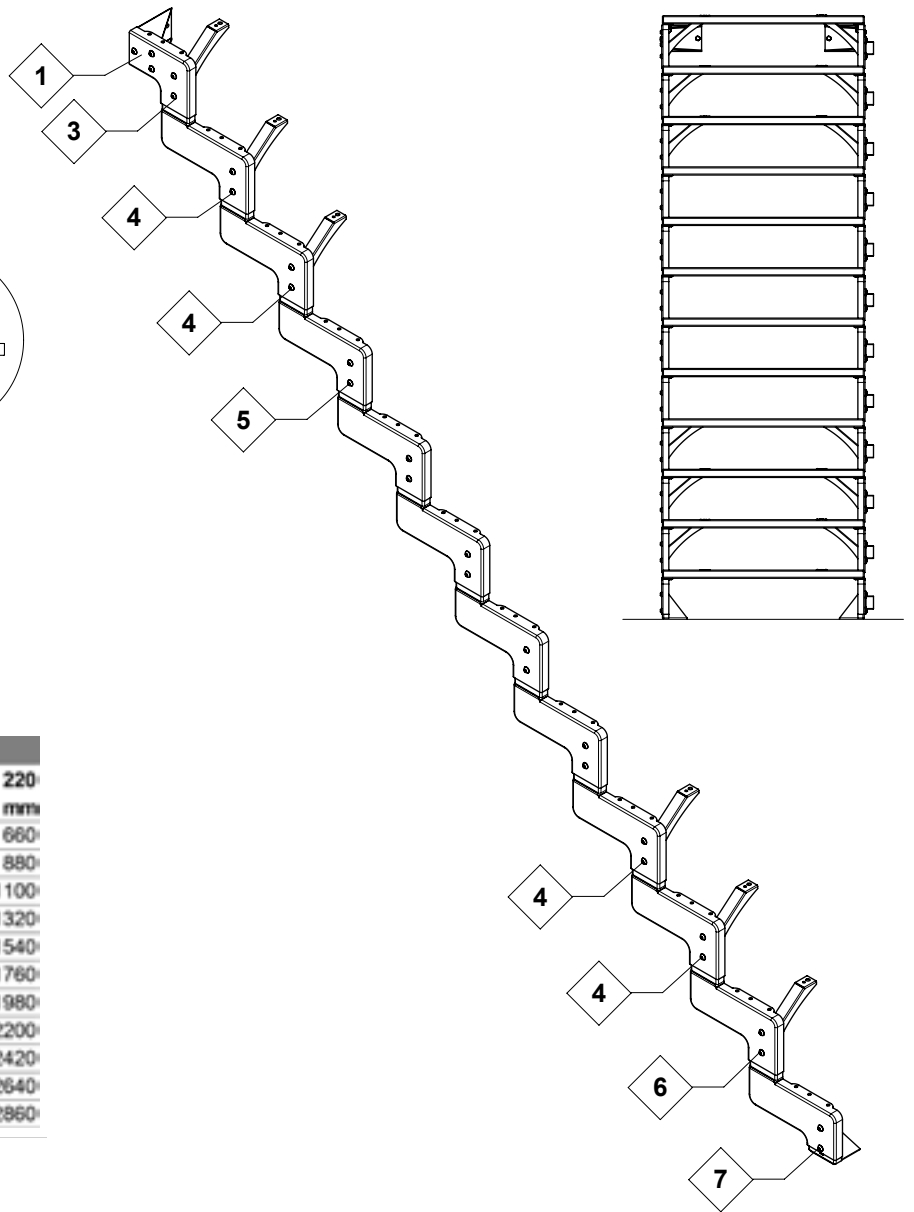


<b>68098</b>		<i>Unterstützung Support</i>			<b>OPTION</b>	
<p>(24) </p> <p>× 1 K1-41950</p>	<p>(26) </p> <p>× 1 K1-41955</p>	<p>(27) </p> <p>× 1 K1-41956</p>	<p>(41) </p> <p>× 1 K3-04110 Ø10</p>	<p>(43) </p> <p>× 1 K3-03051 M10</p>	<p>(52) </p> <p>× 1 K3-02375 M10 x 75</p>	
	<p>(53) </p> <p>× 2 K3-05007 M5 x 5</p>	<p>(54) </p> <p>× 1 K3-08002 Ø8 x 40</p>	<p>(55) </p> <p>× 1 K3-06032 Ø6 x 60</p>			

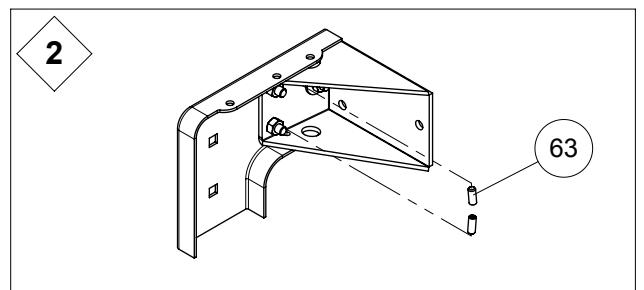
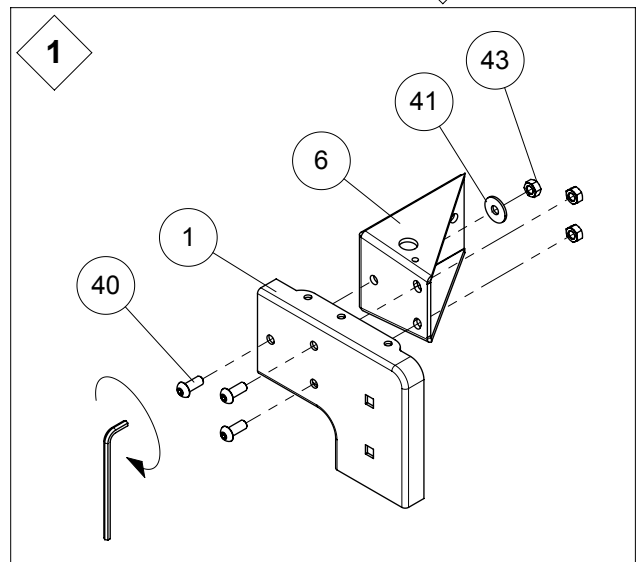




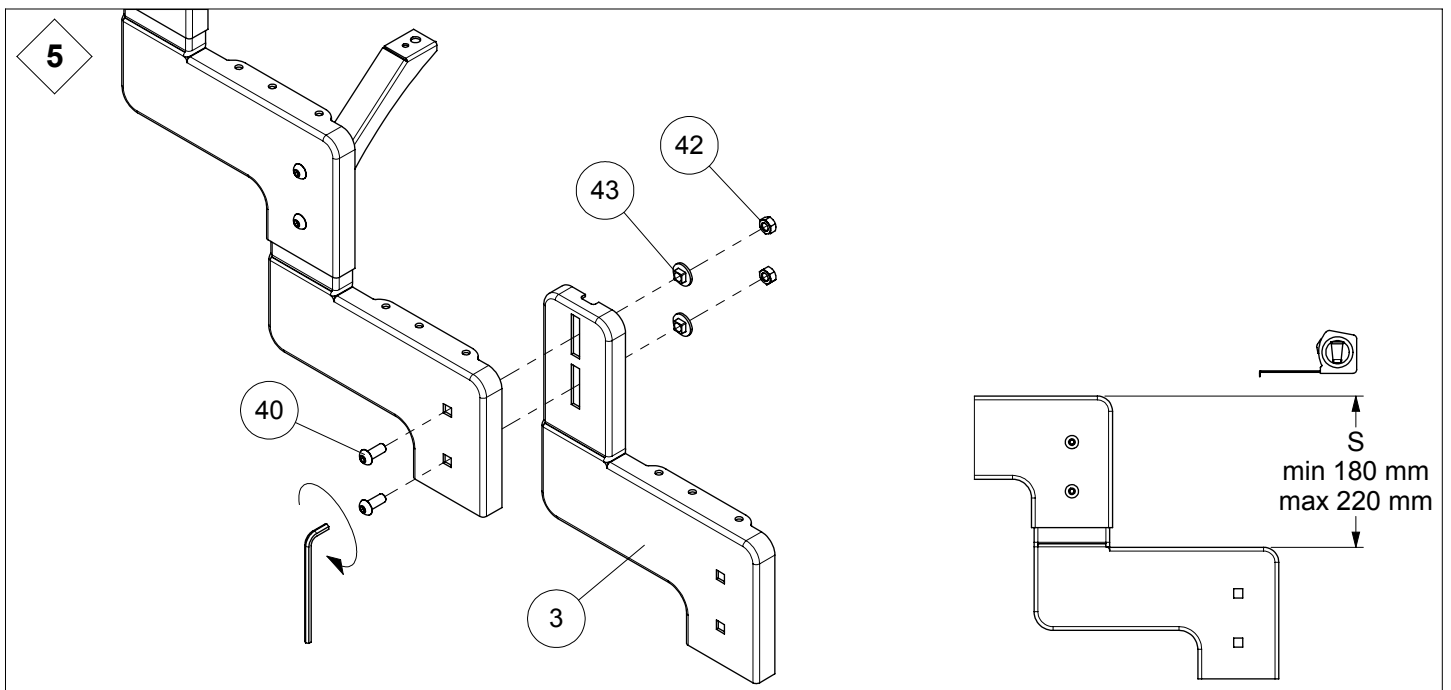
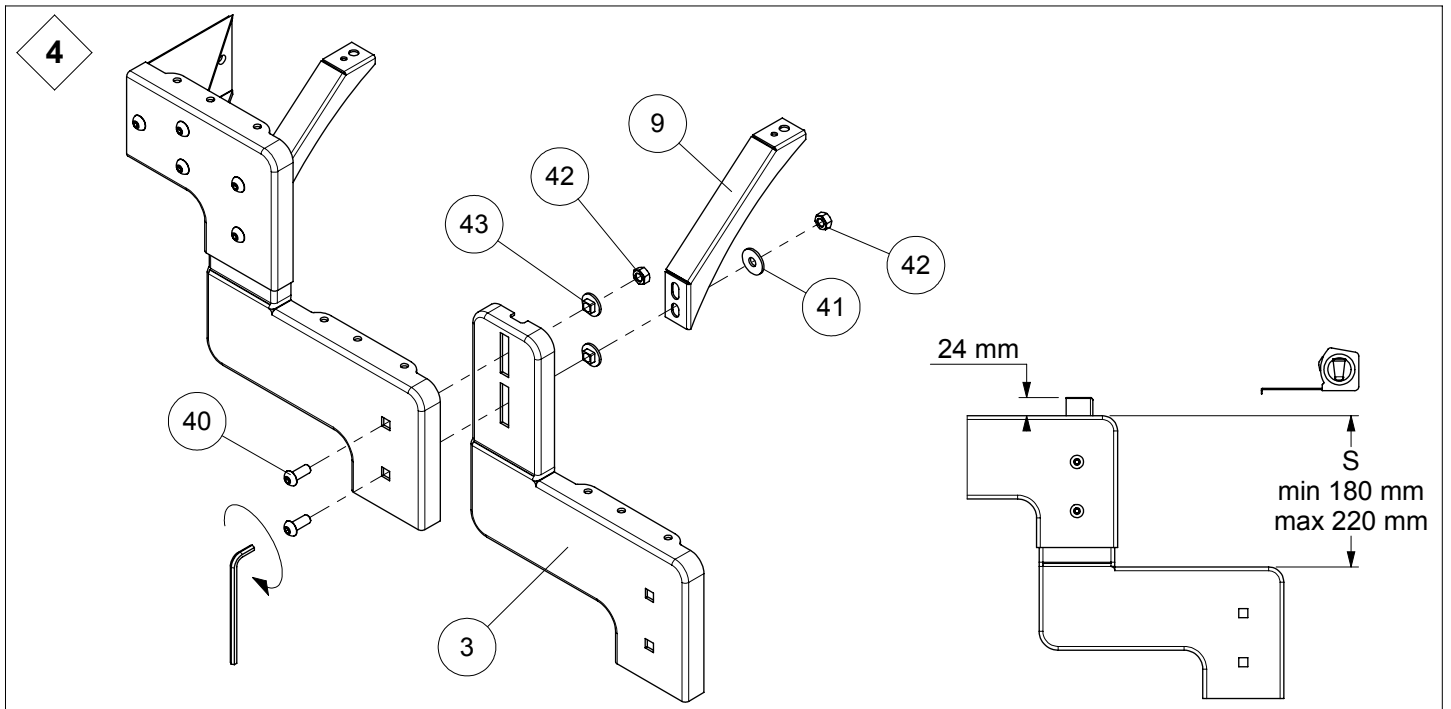
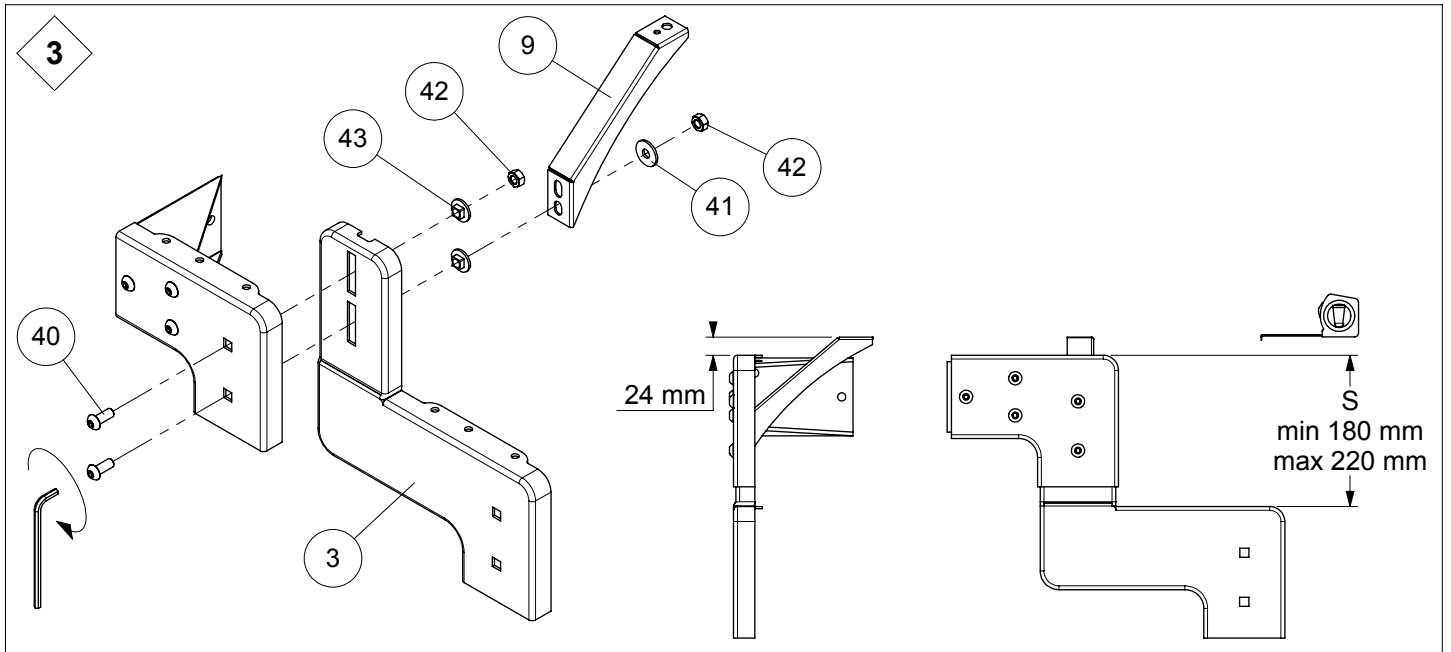
H	S				
	180	190	200	210	220
	mm	mm	mm	mm	mm
2	540	570	600	630	660
3	720	760	800	840	880
4	900	950	1000	1050	1100
5	1080	1140	1200	1260	1320
6	1260	1330	1400	1470	1540
7	1440	1520	1600	1680	1760
8	1620	1710	1800	1890	1980
9	1800	1900	2000	2100	2200
10	1980	2090	2200	2310	2420
11	2160	2280	2400	2520	2640
12	2340	2470	2600	2730	2860

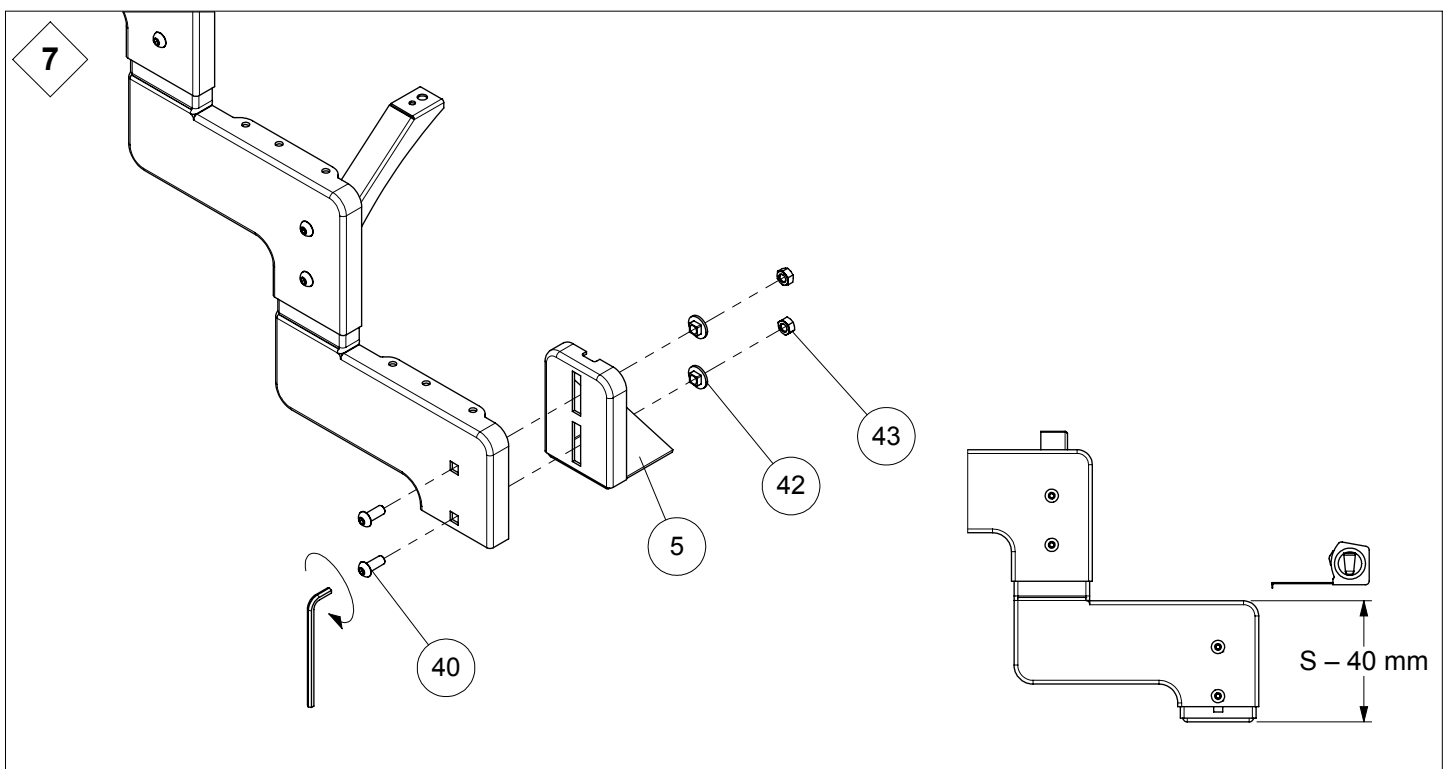
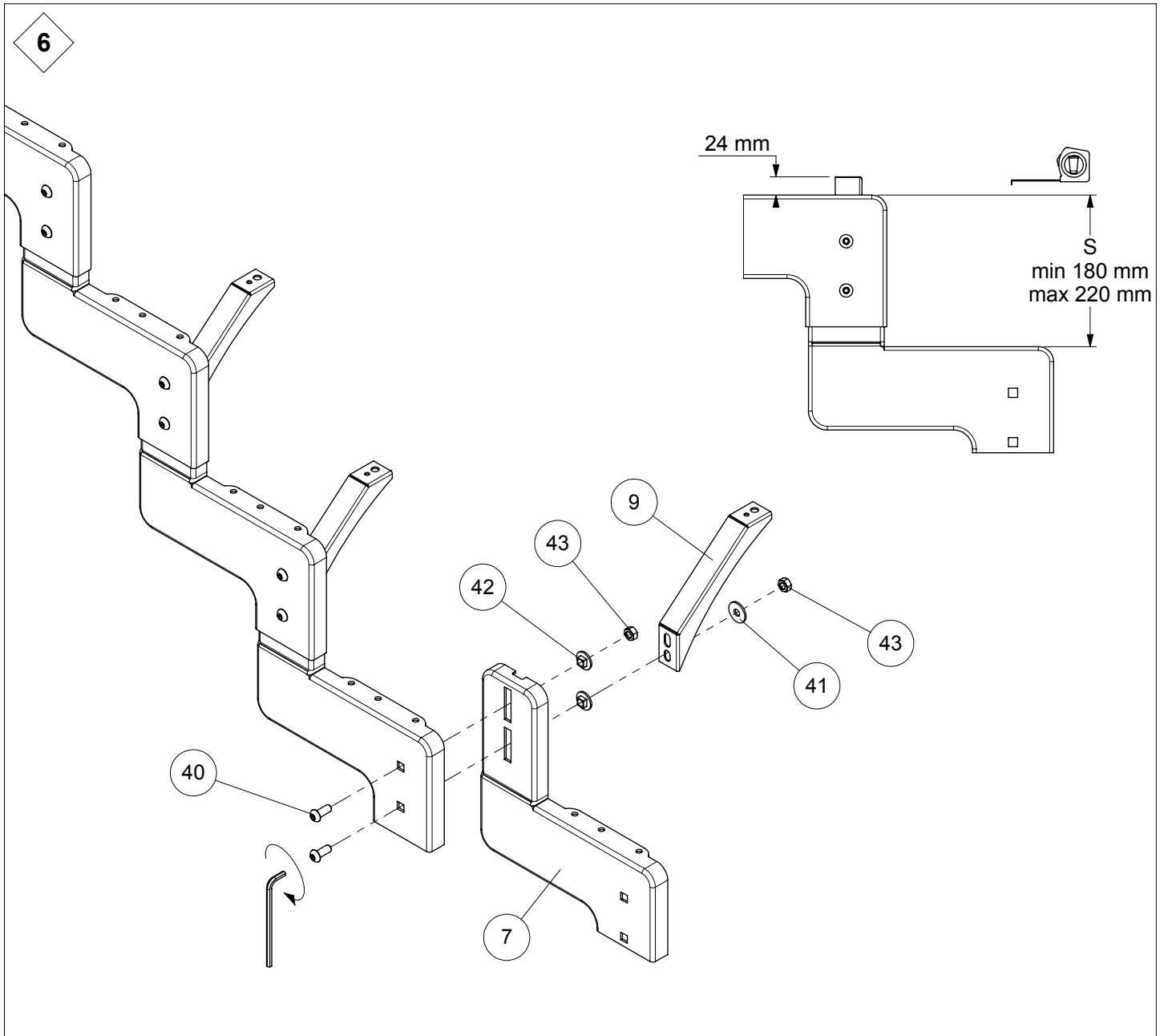


H	S				
	180	190	200	210	220
	mm	mm	mm	mm	mm
2	360	380	400	420	440
3	540	570	600	630	660
4	720	760	800	840	880
5	900	950	1000	1050	1100
6	1080	1140	1200	1260	1320
7	1260	1330	1400	1470	1540
8	1440	1520	1600	1680	1760
9	1620	1710	1800	1890	1980
10	1800	1900	2000	2100	2200
11	1980	2090	2200	2310	2420
12	2160	2280	2400	2520	2640

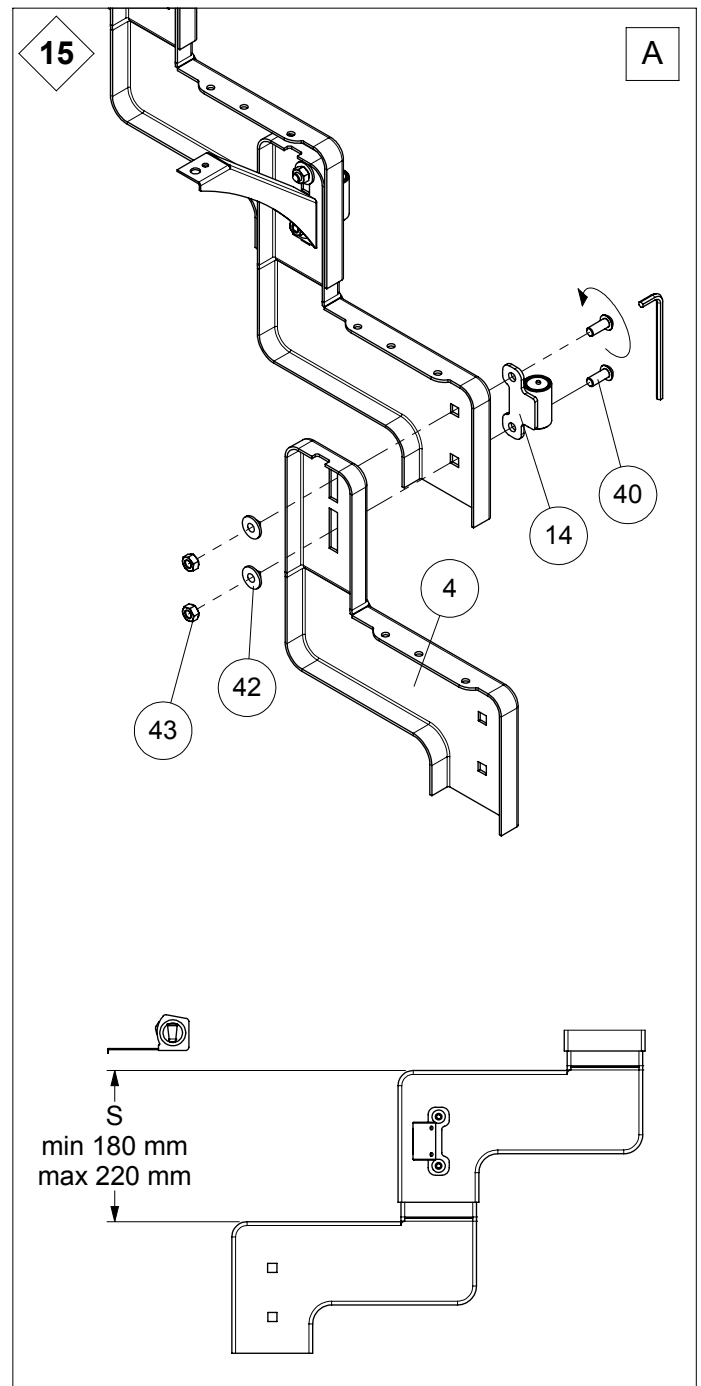
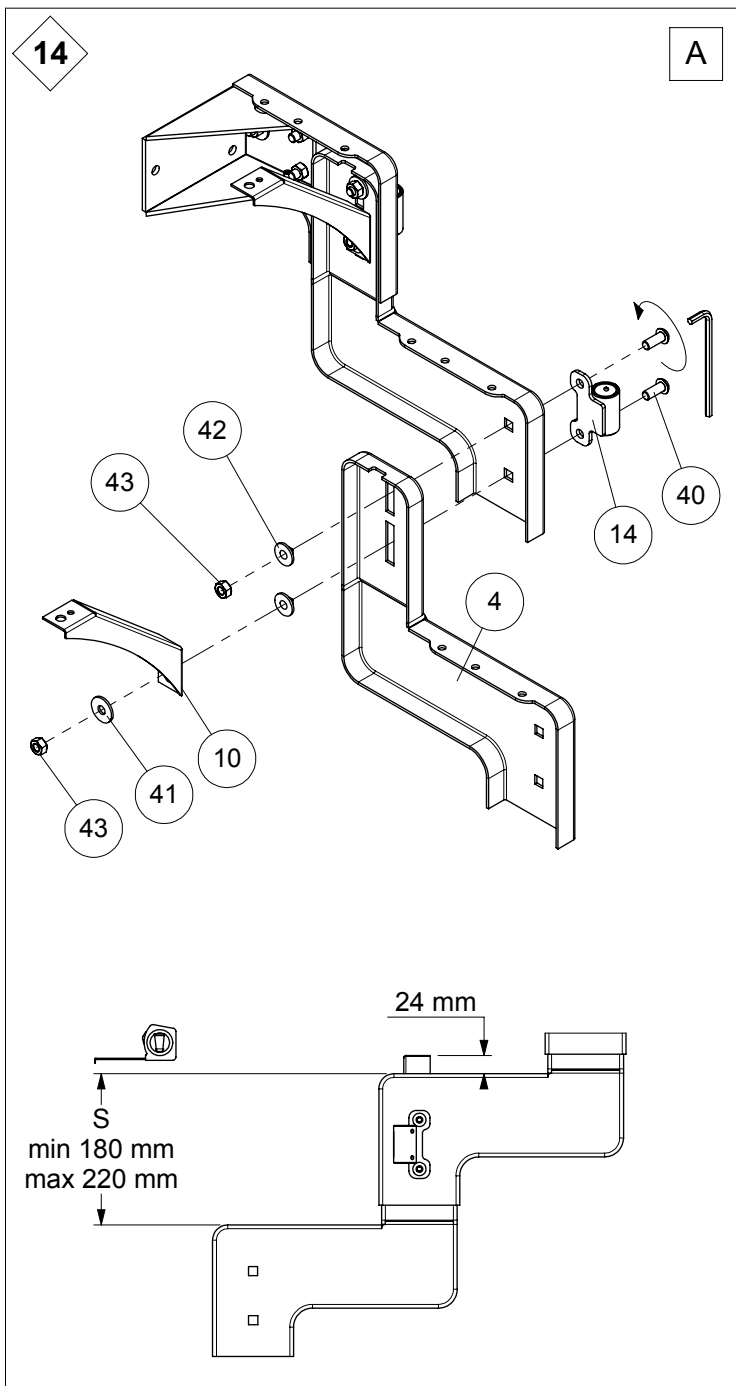
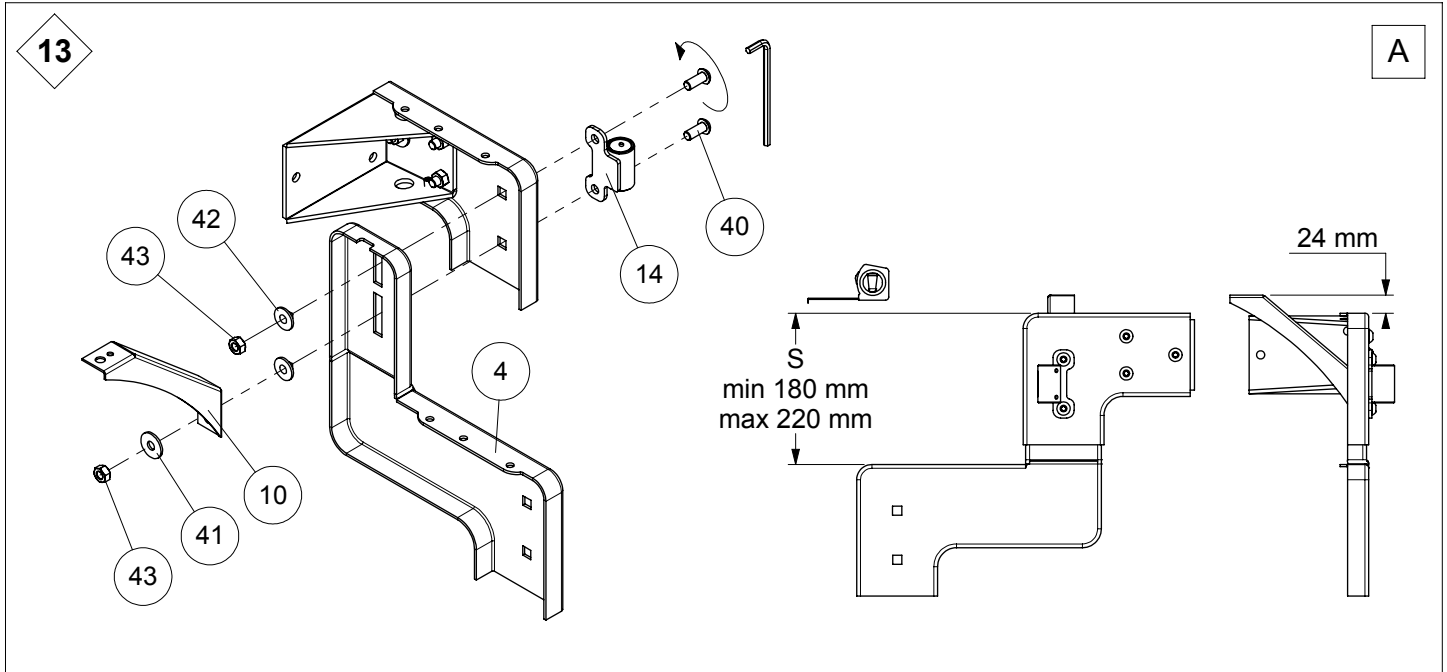






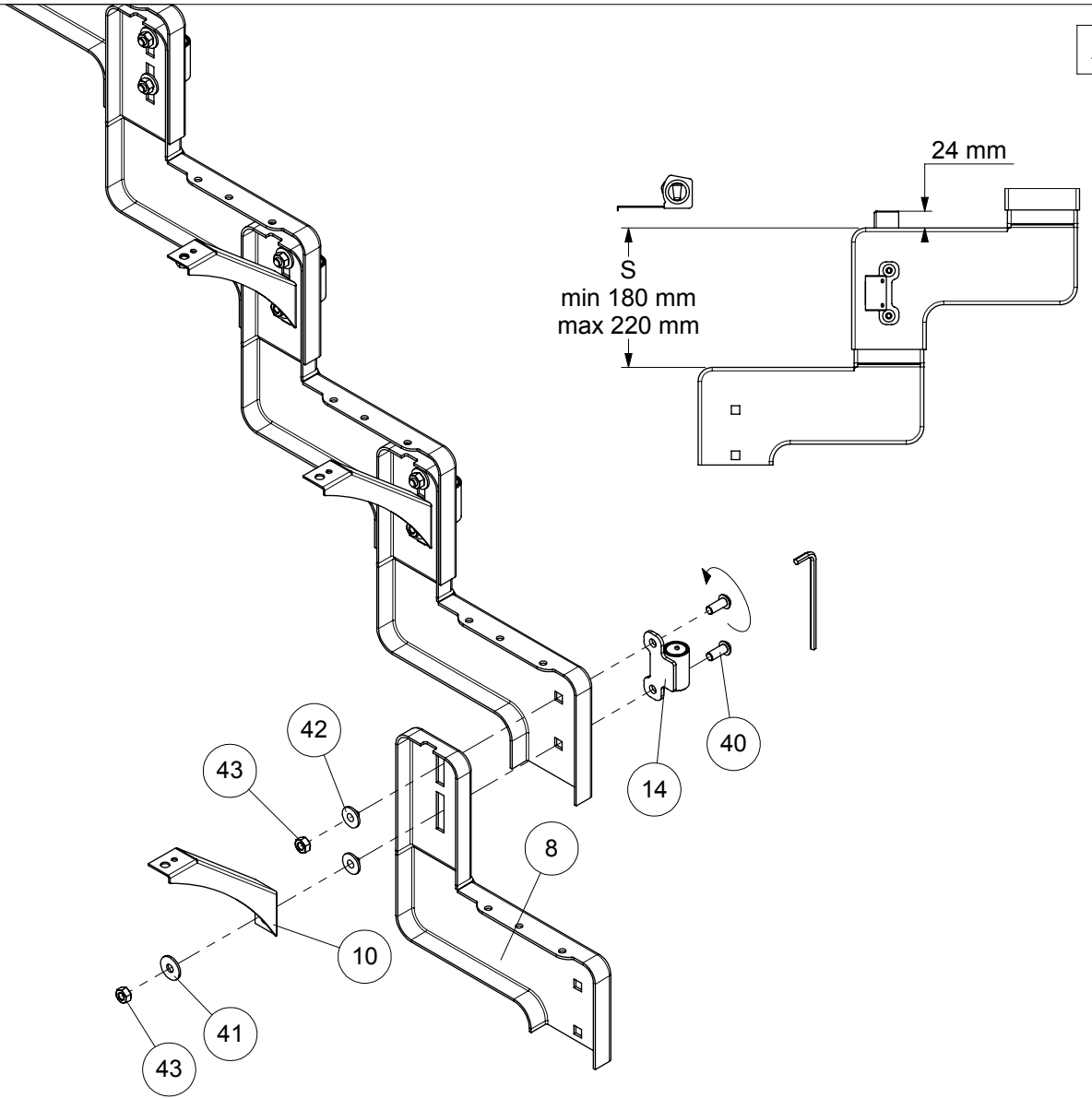






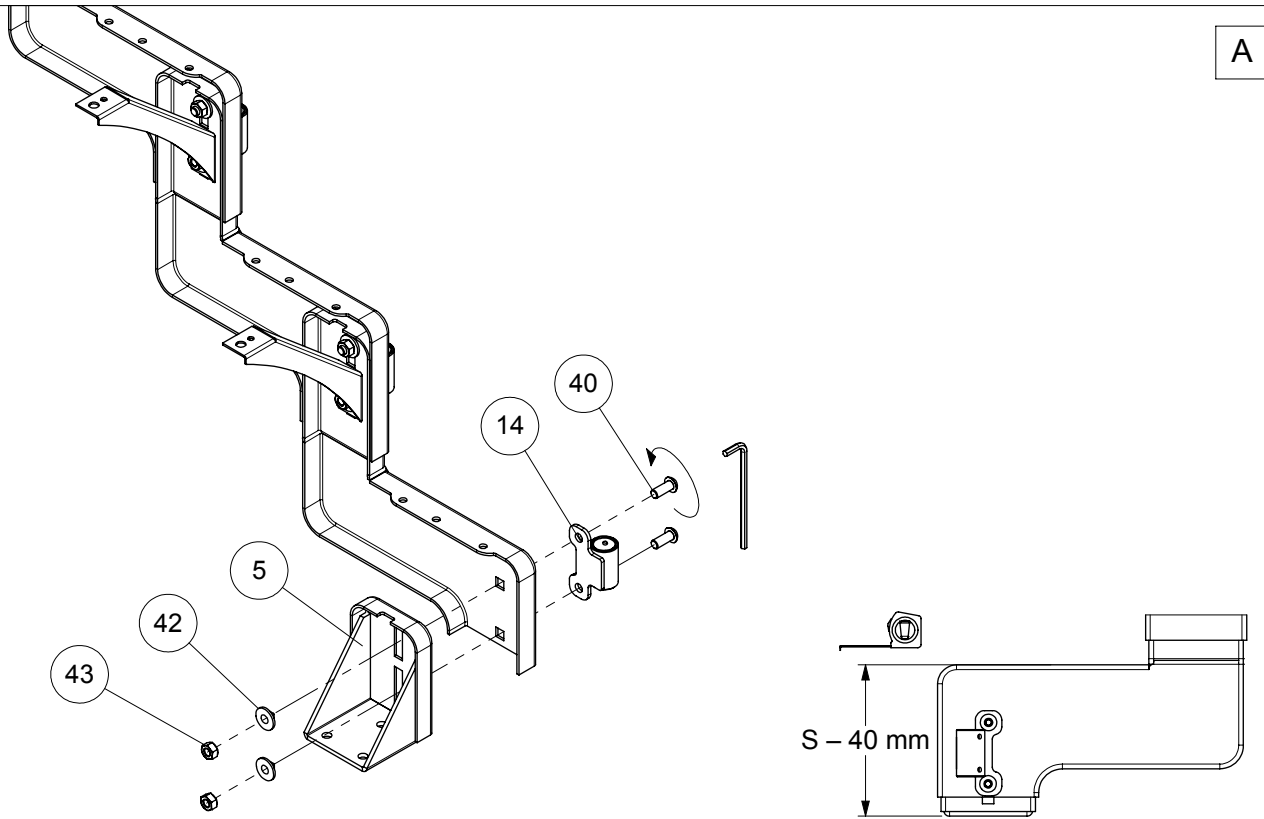
16

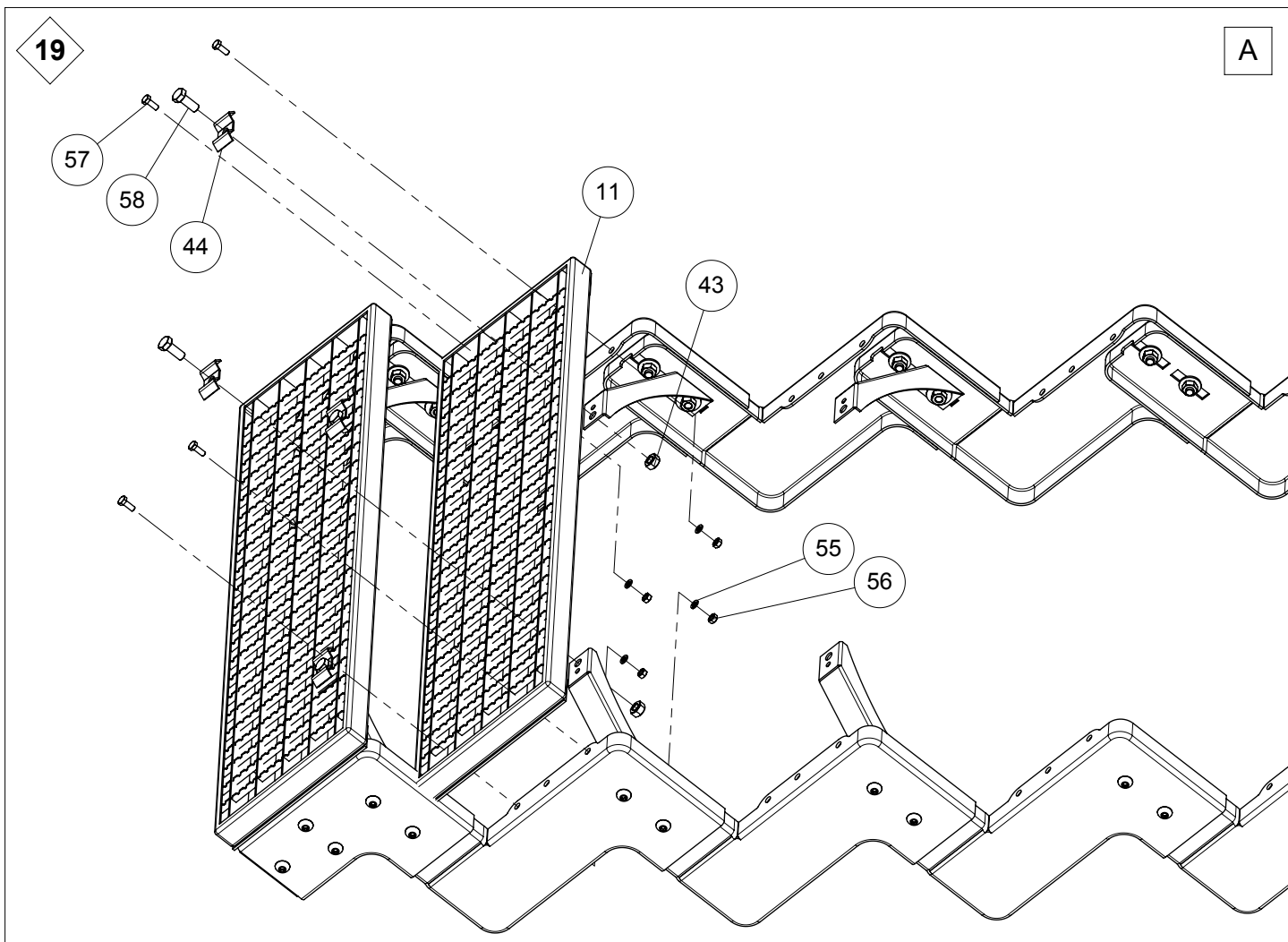
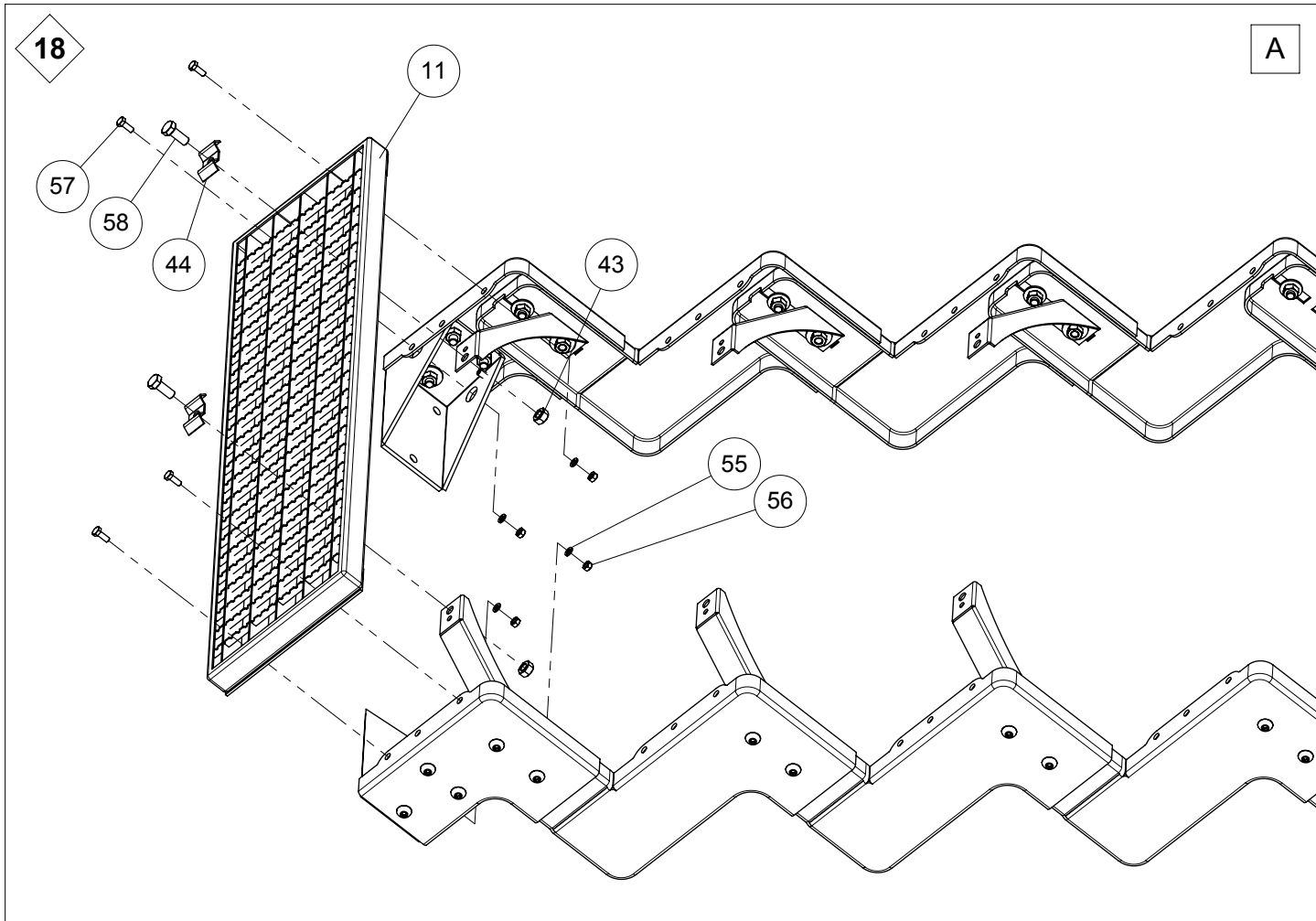
A



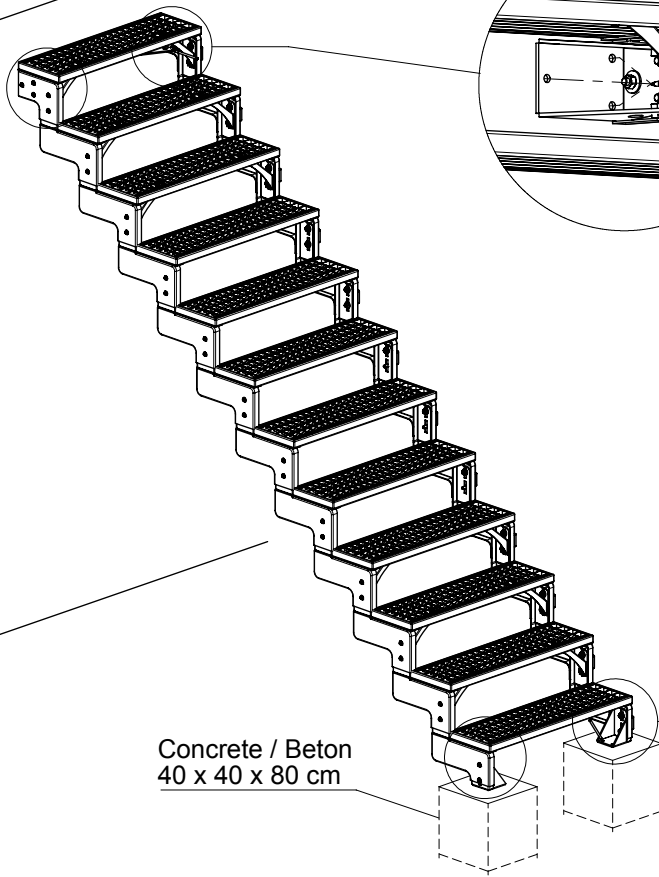
17

A

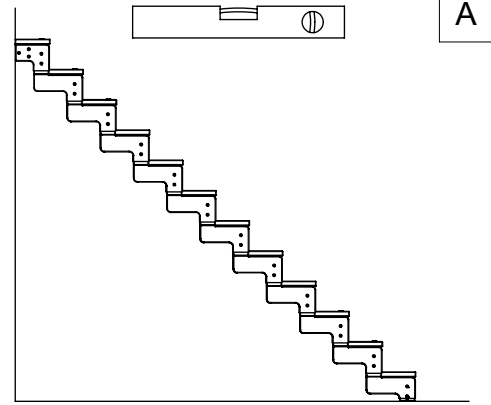




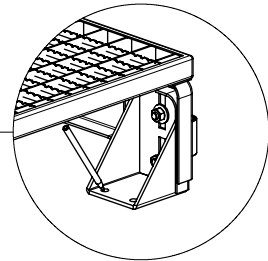
20



Concrete / Beton  
40 x 40 x 80 cm

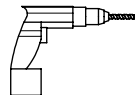


A



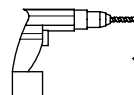
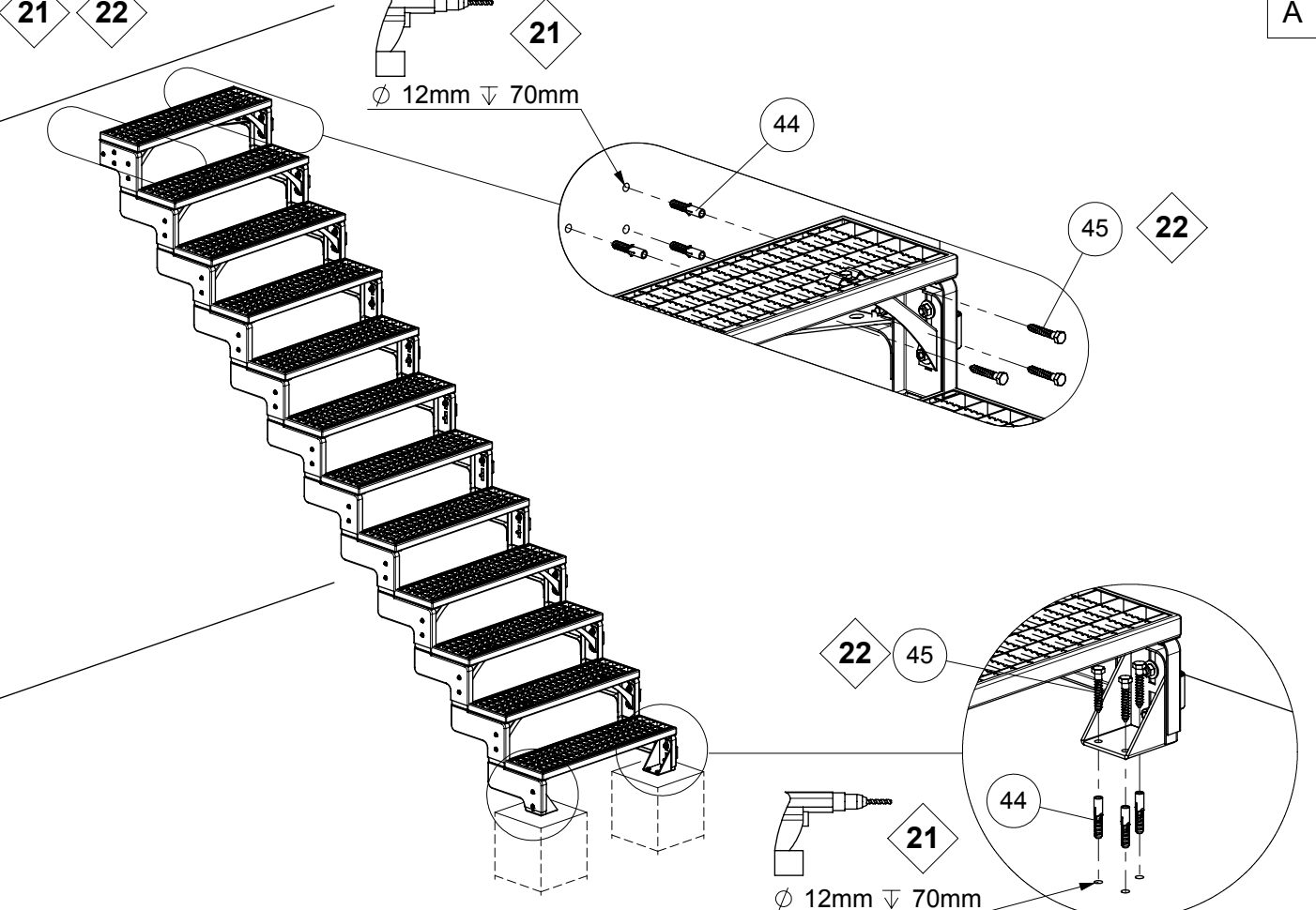
21

22



21

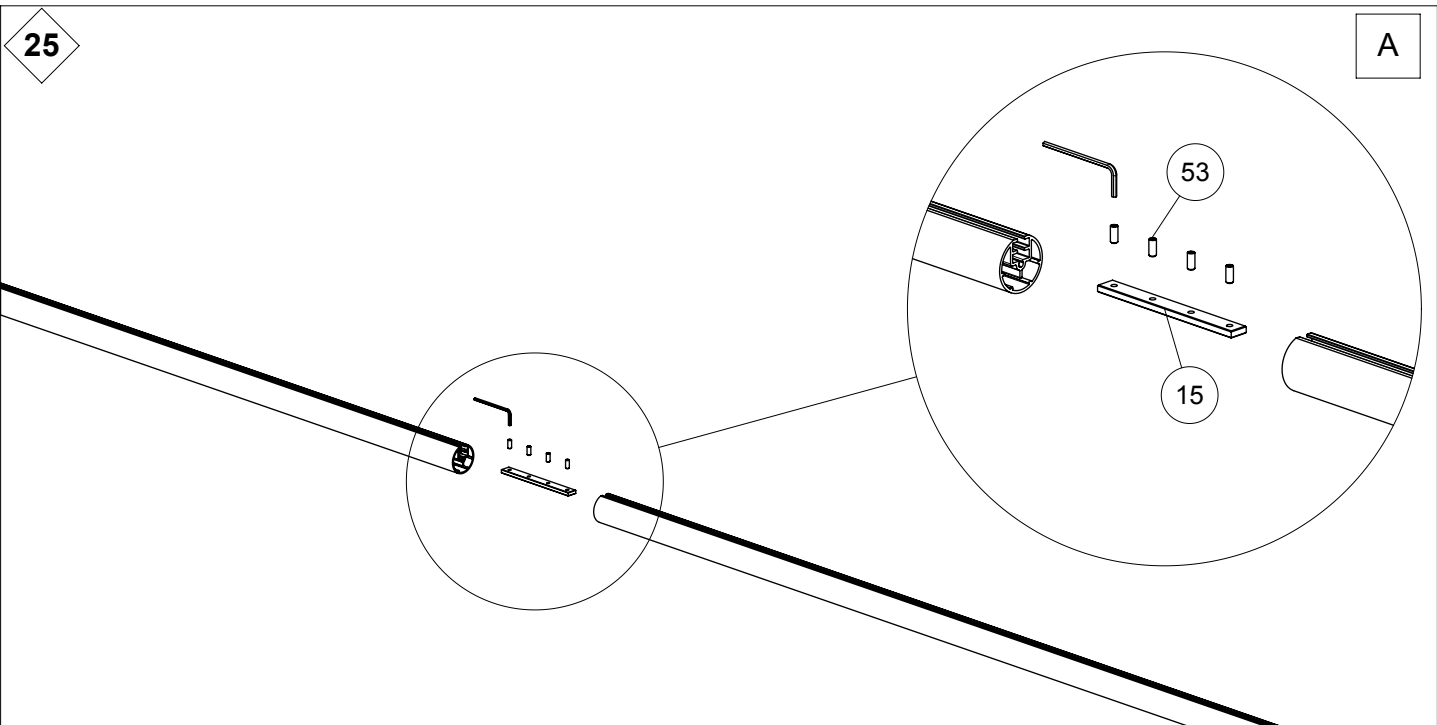
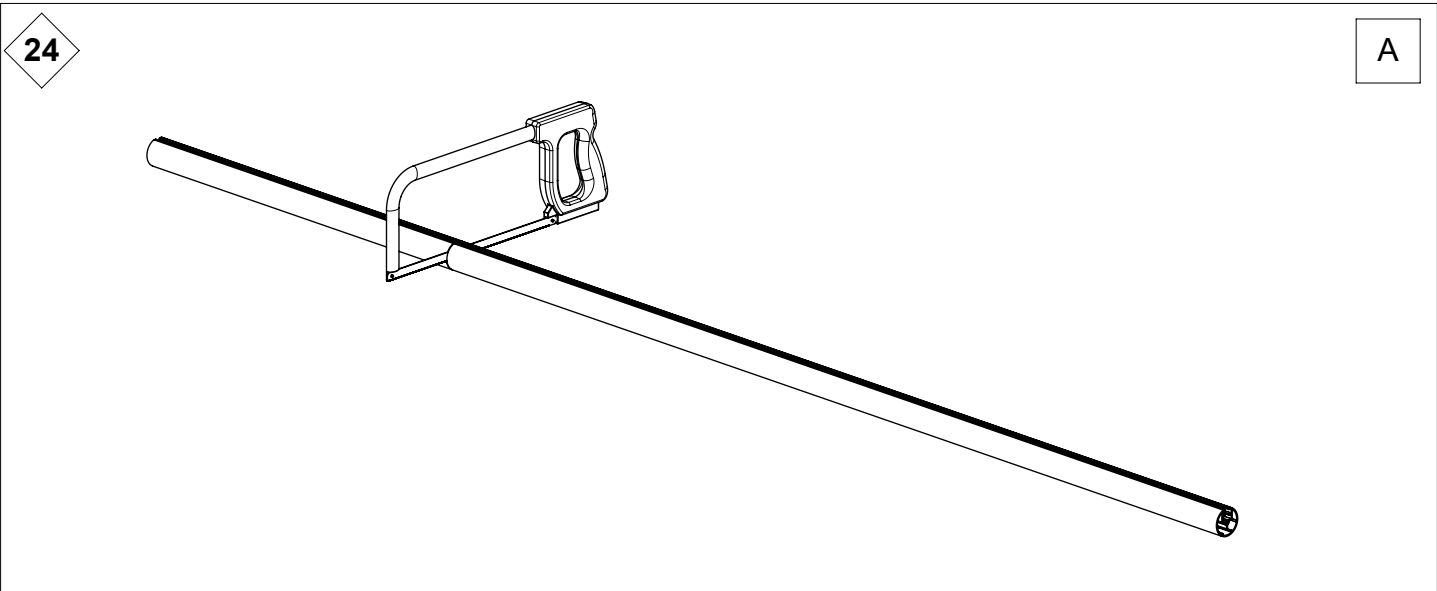
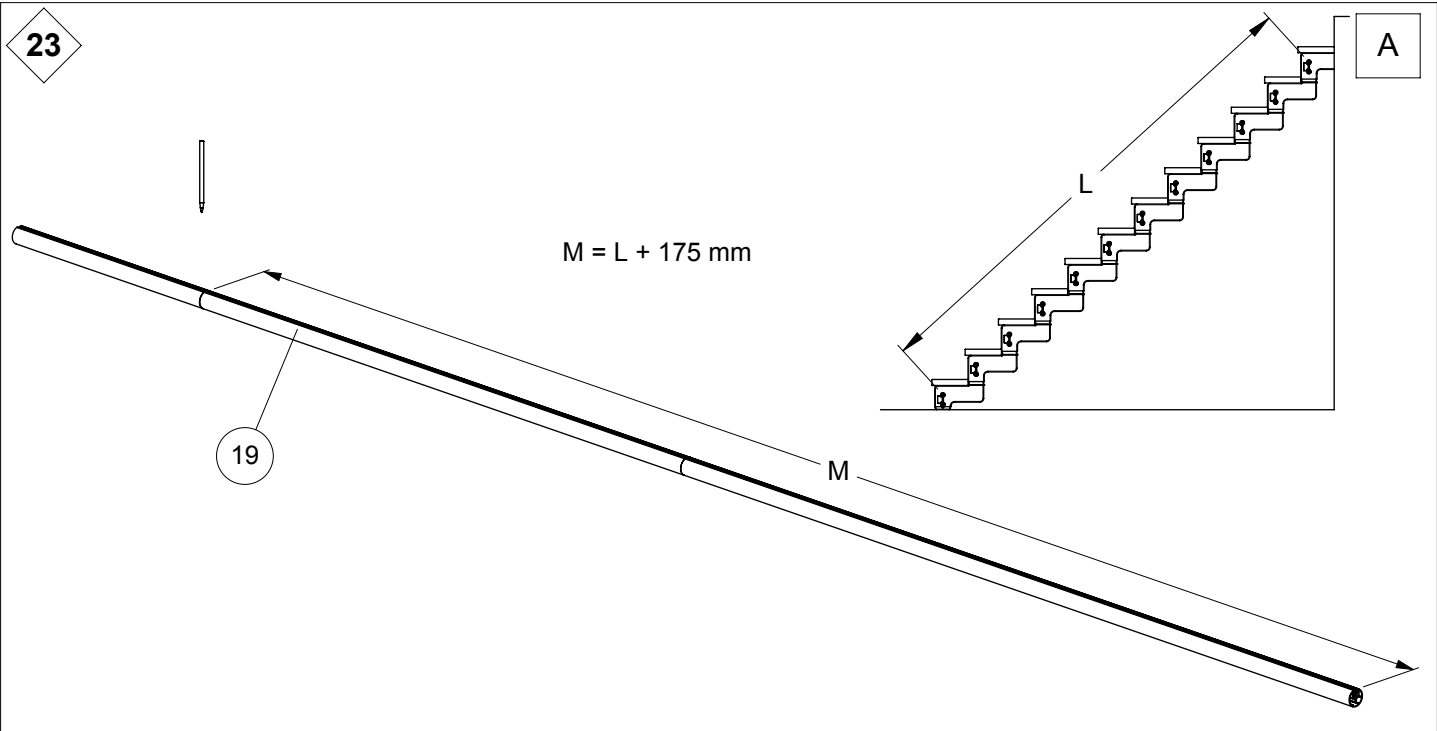
Ø 12mm ▽ 70mm



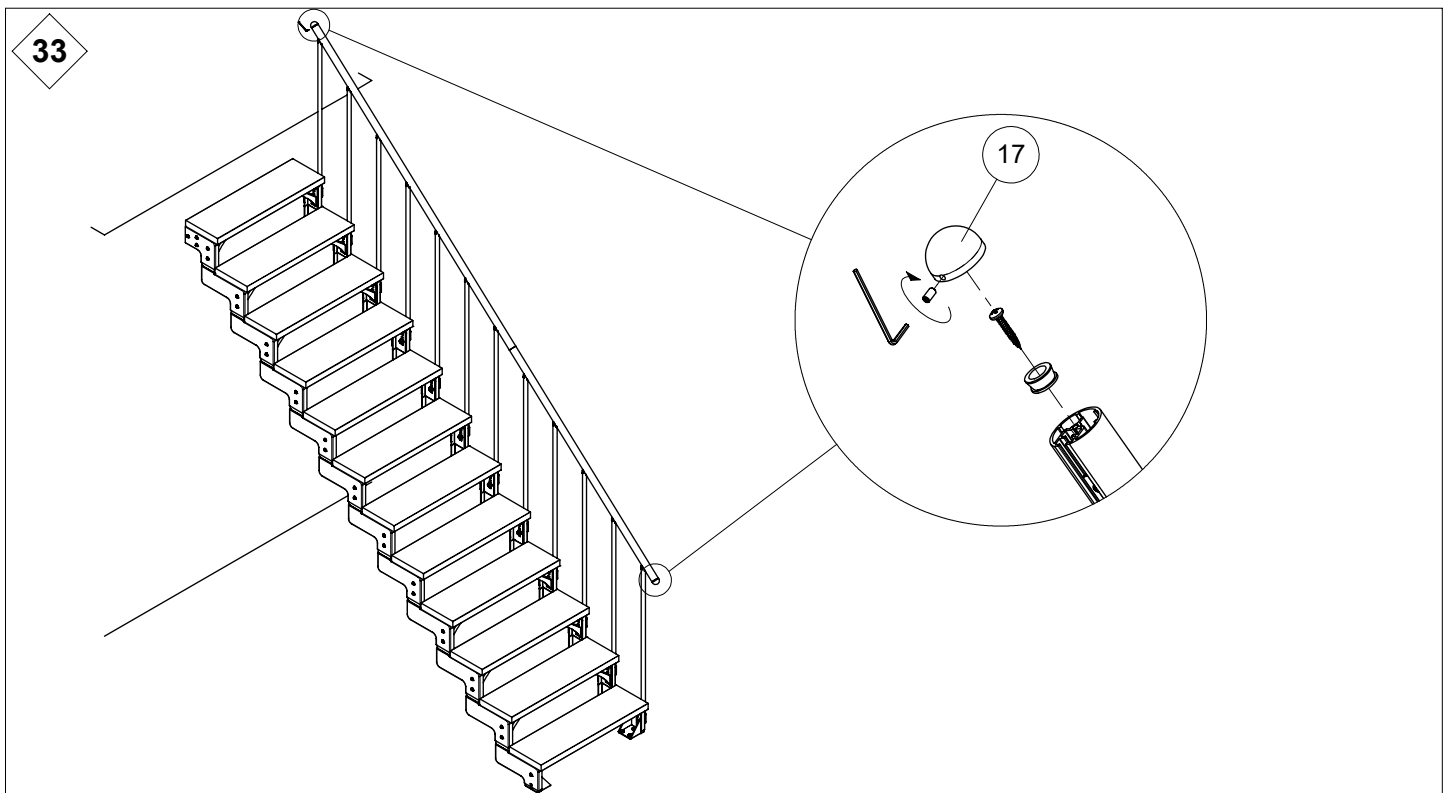
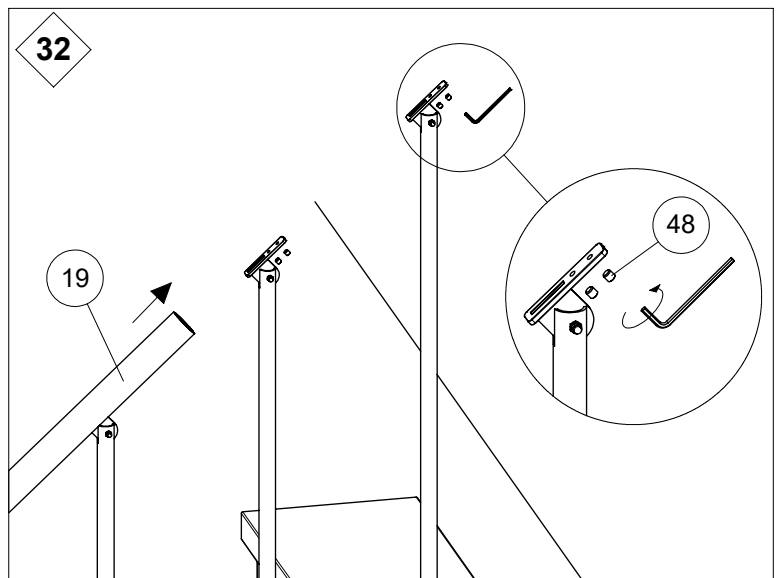
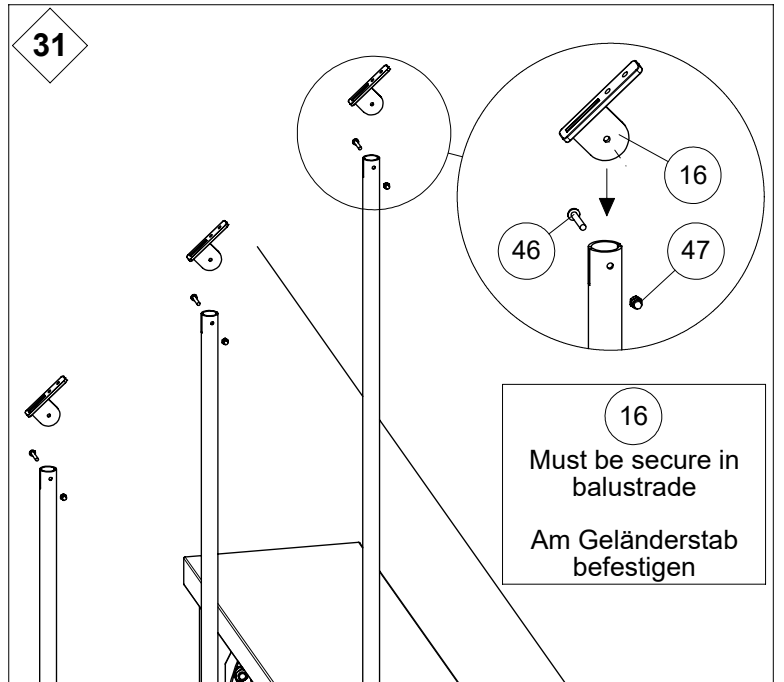
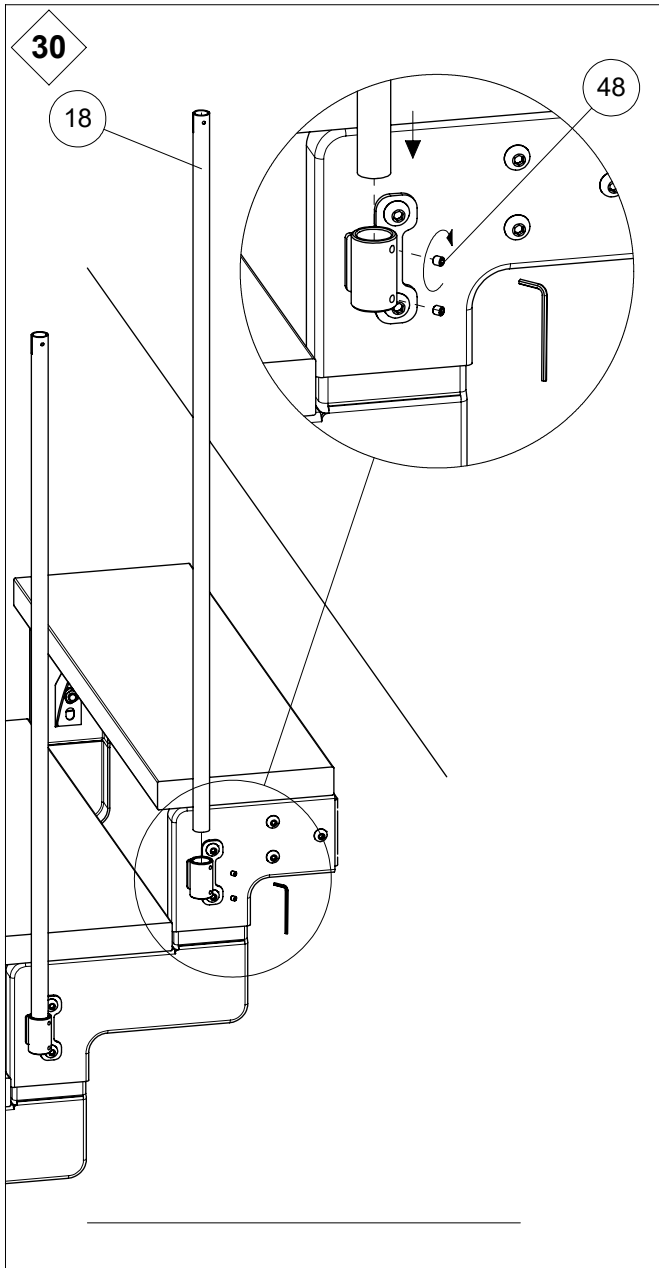
21

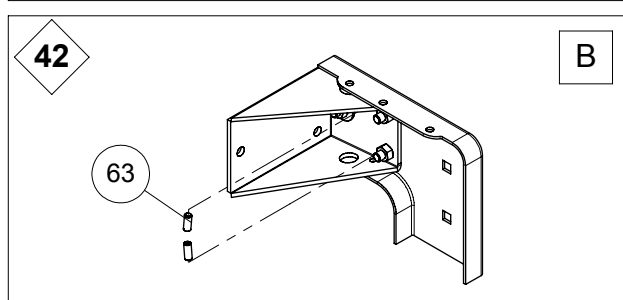
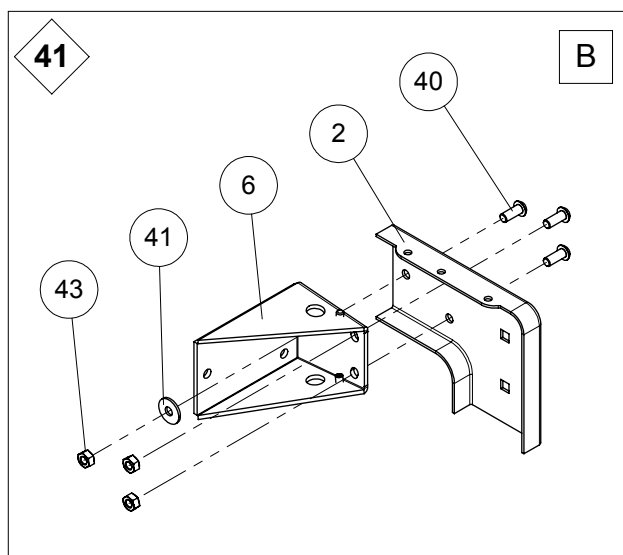
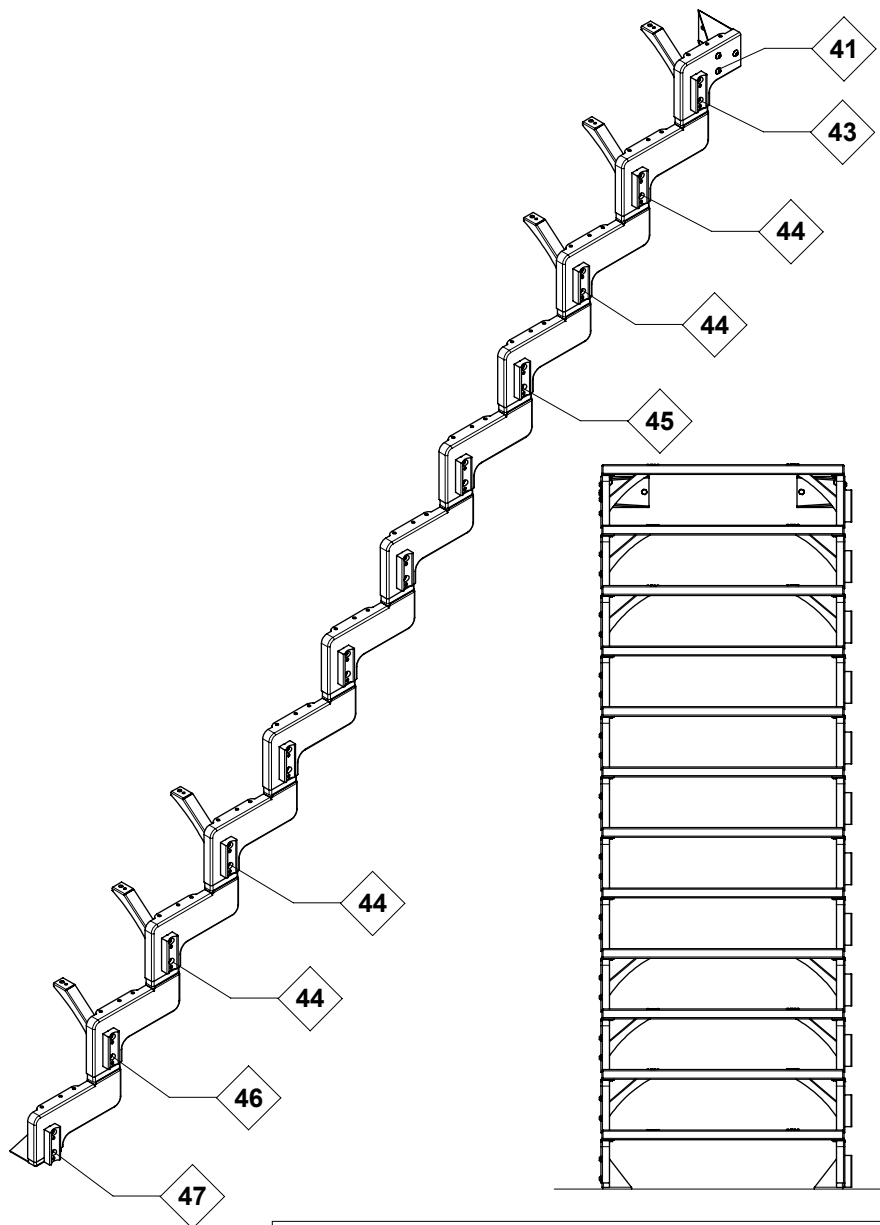
Ø 12mm ▽ 70mm

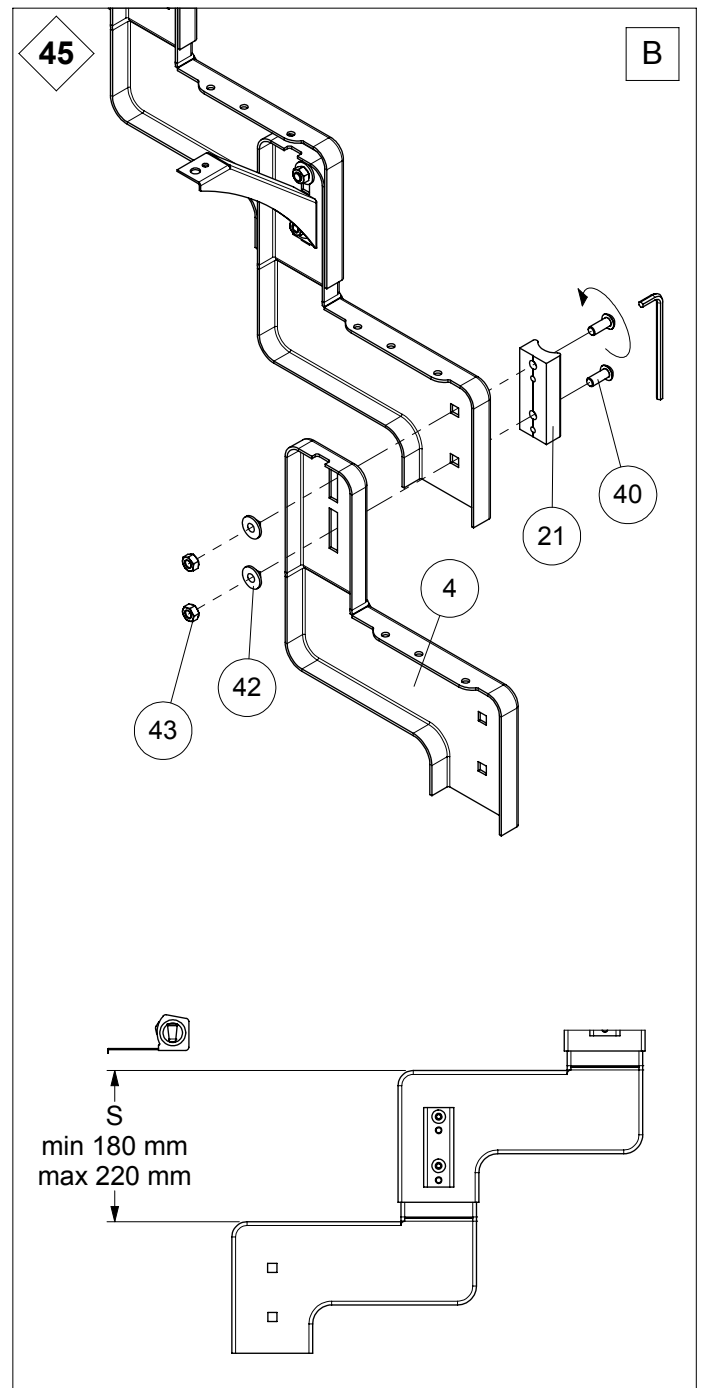
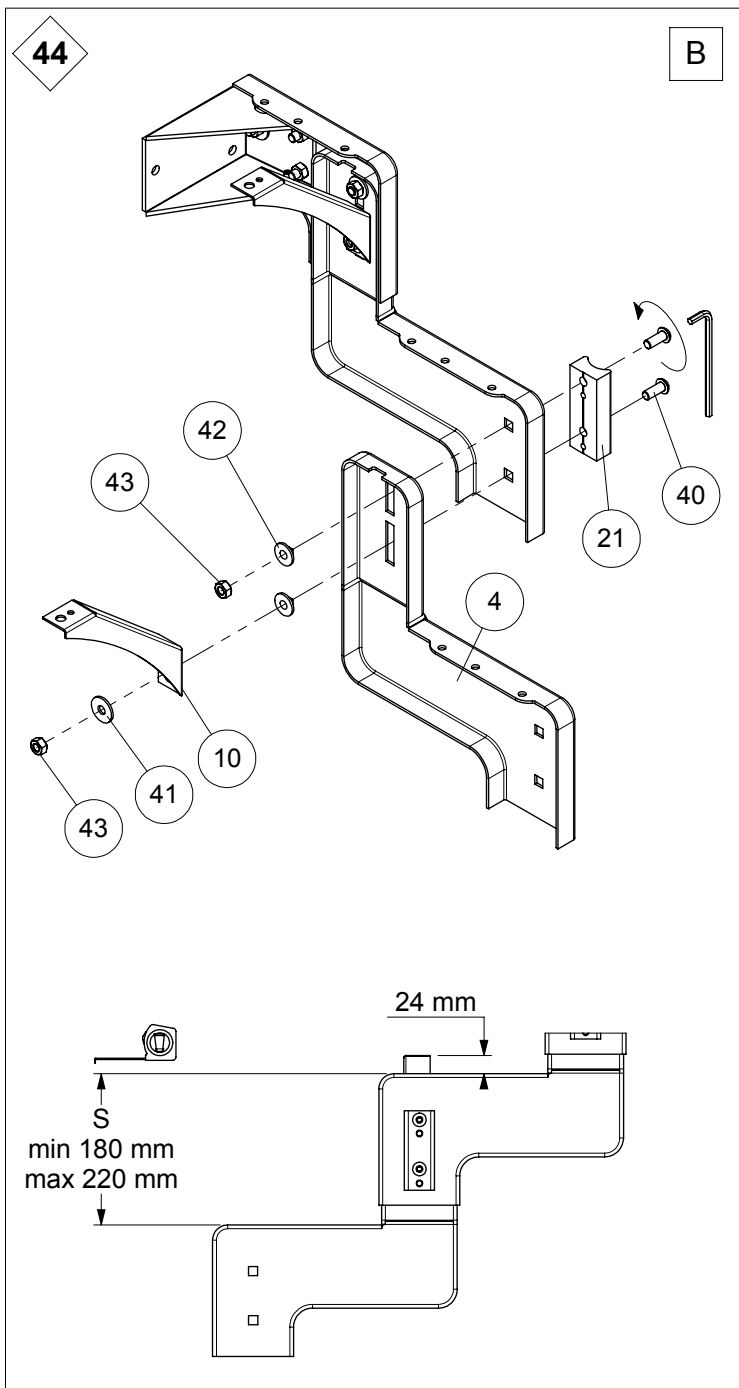
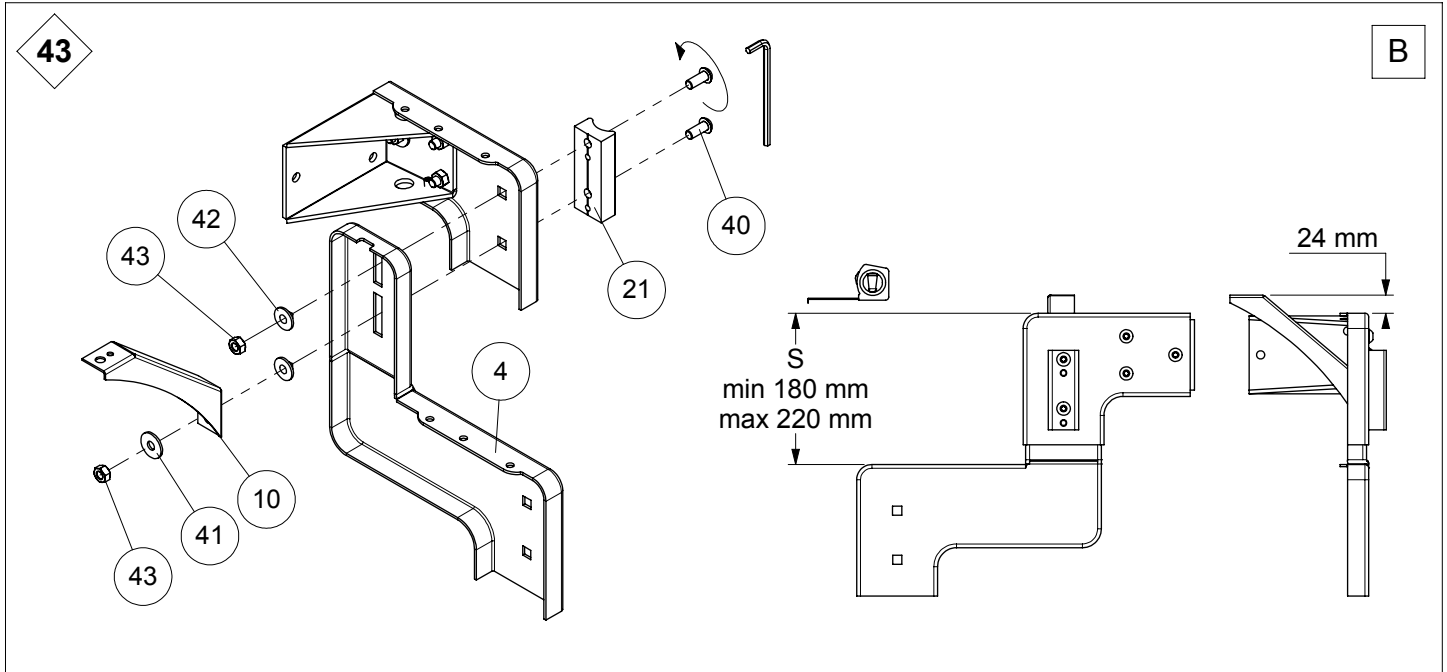
A





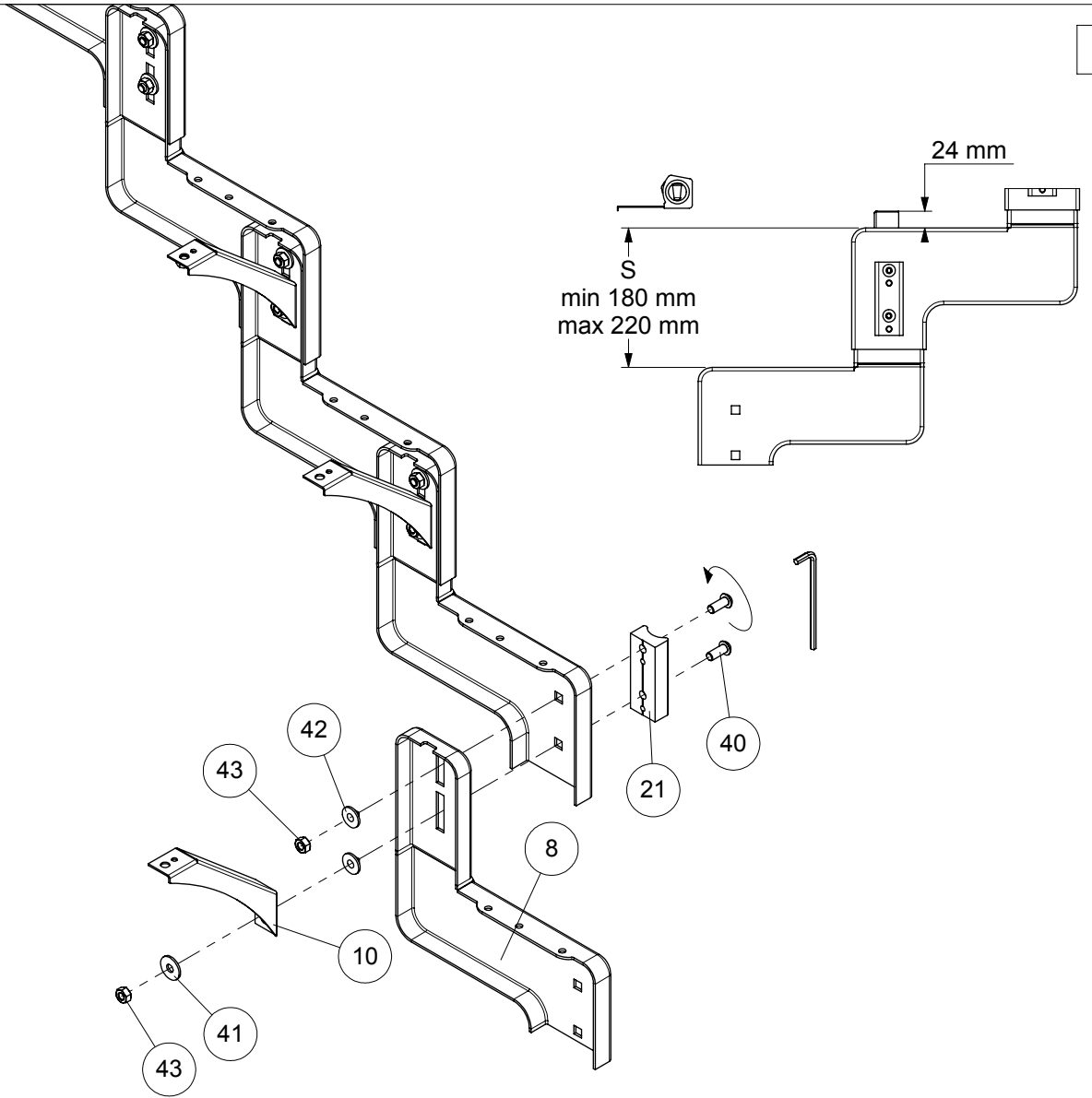






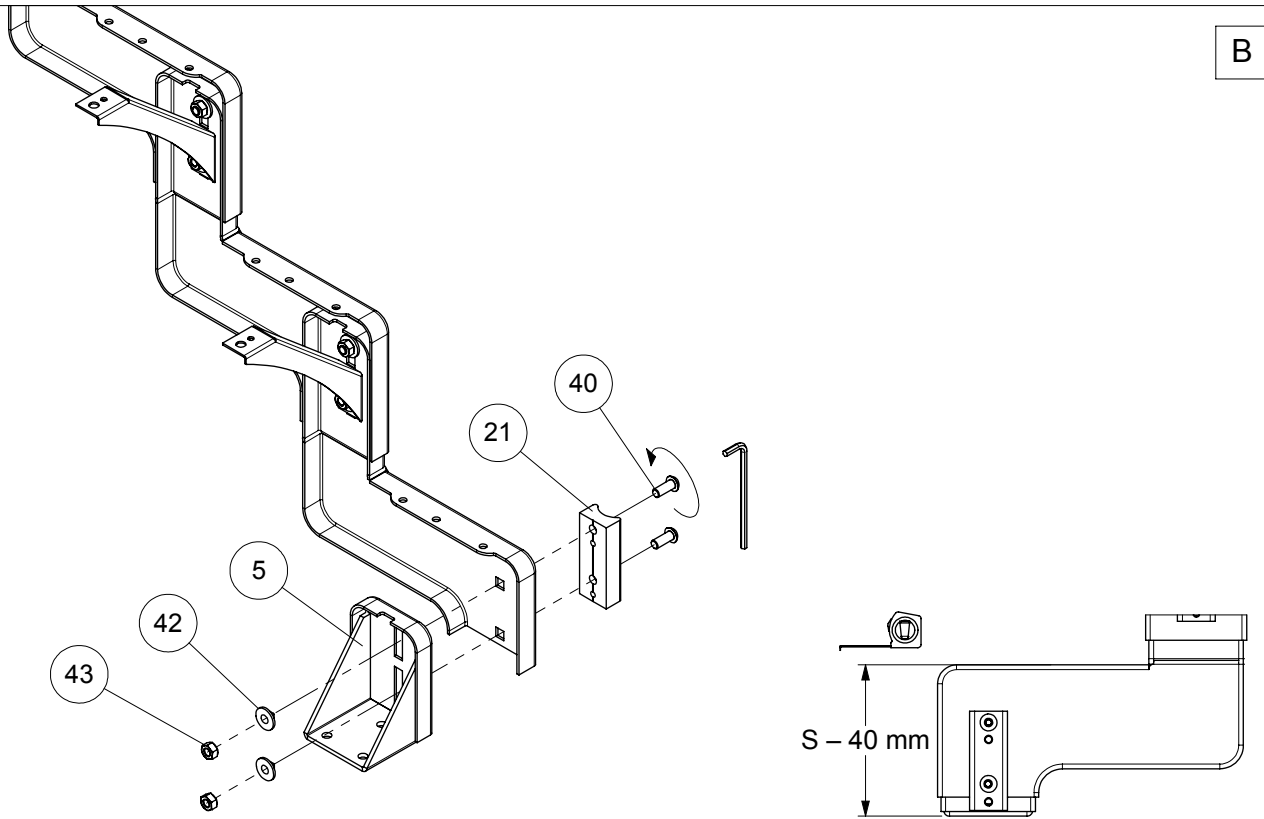
46

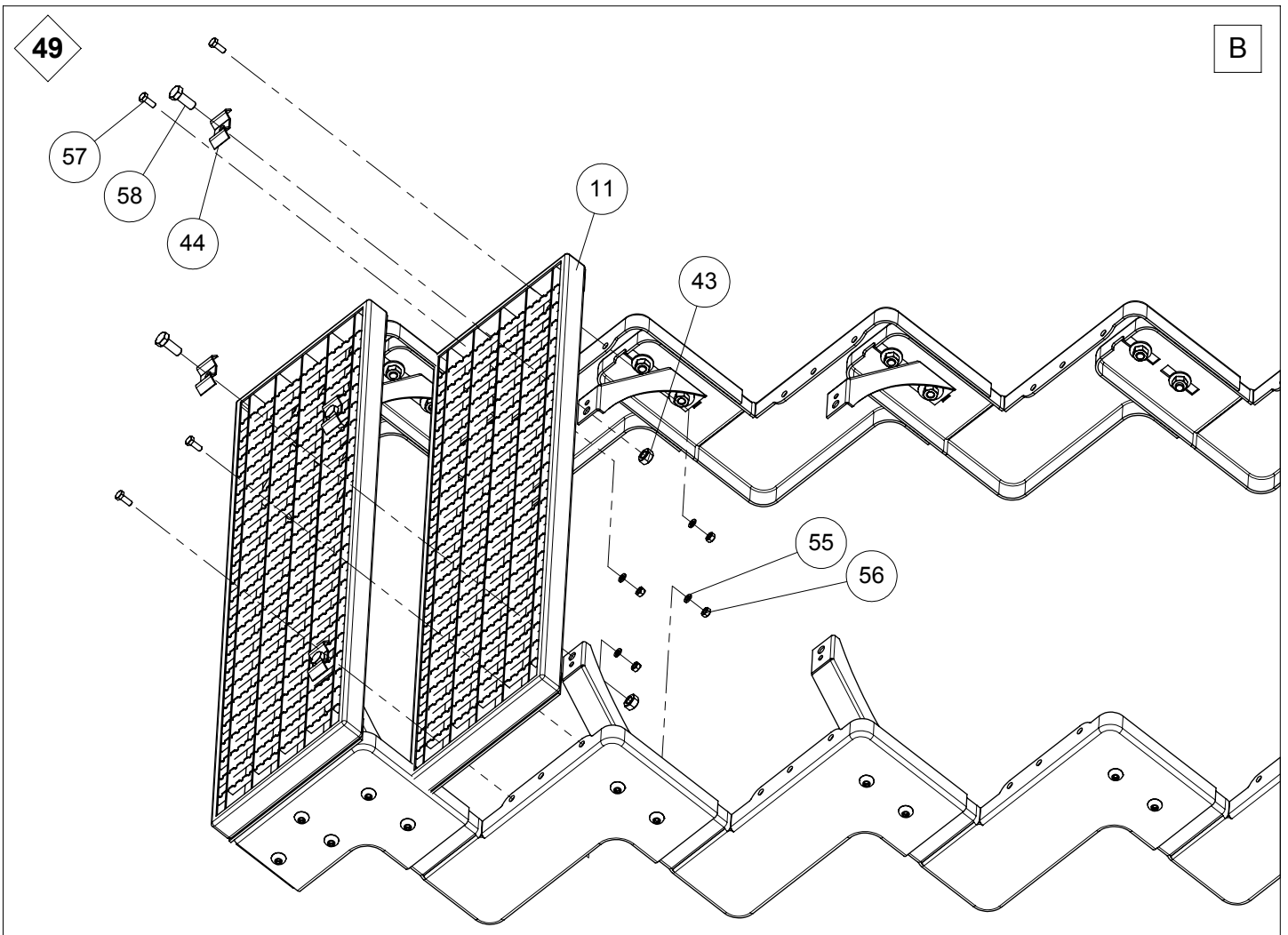
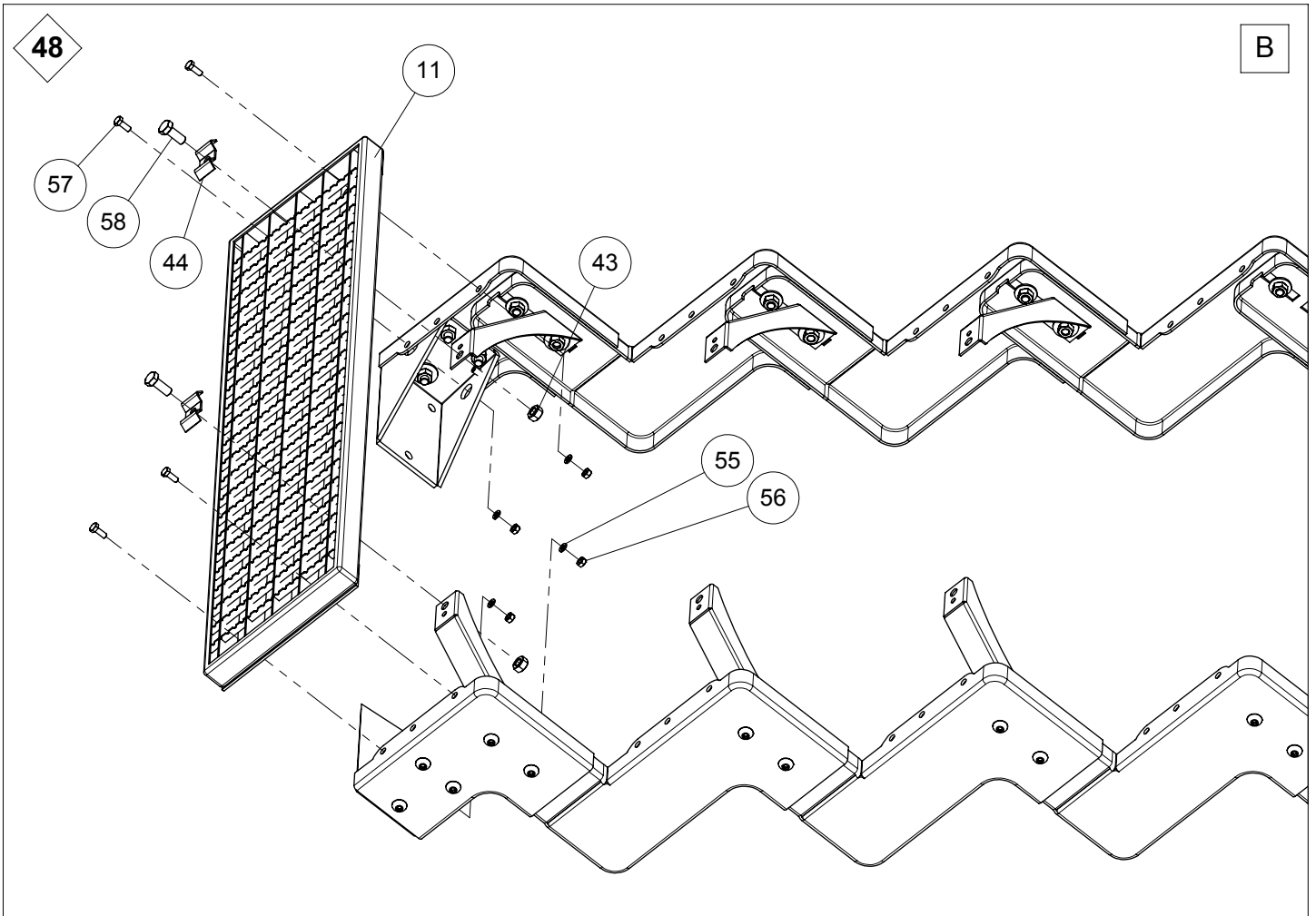
B



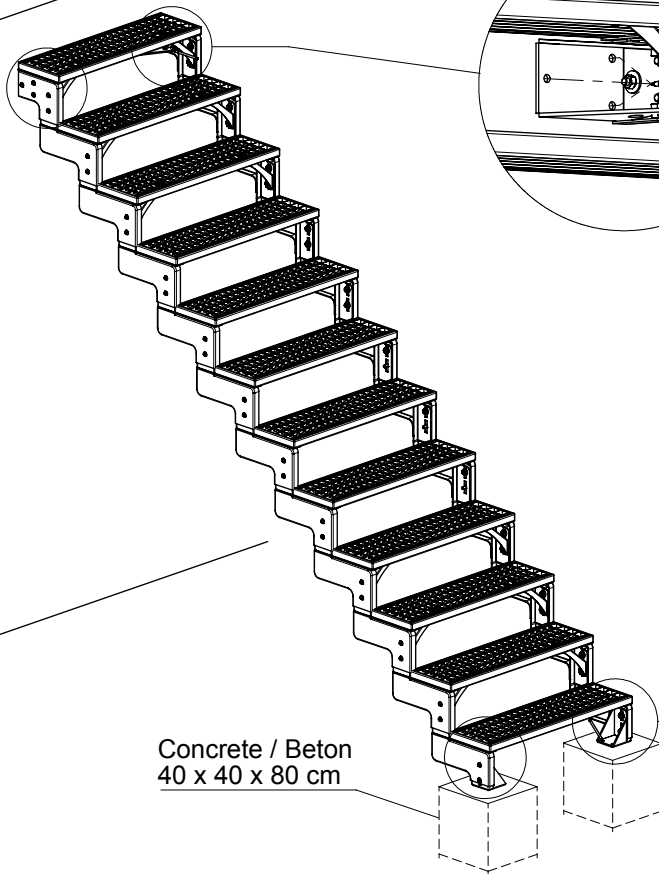
47

B

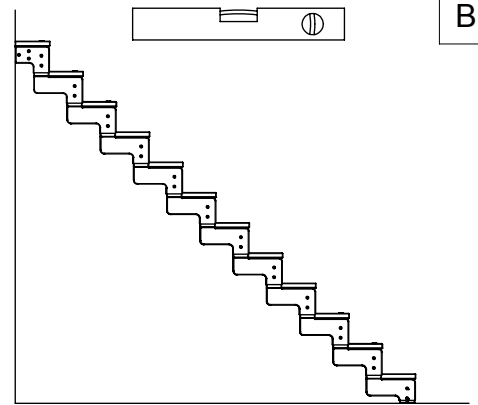




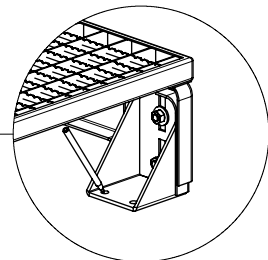
50



Concrete / Beton  
40 x 40 x 80 cm

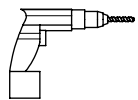


B



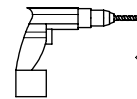
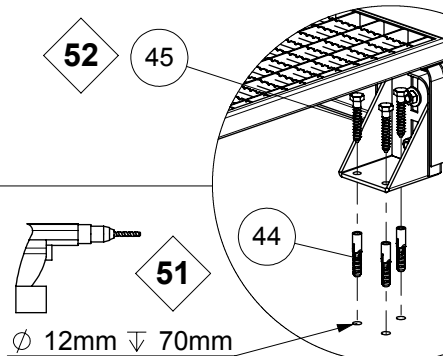
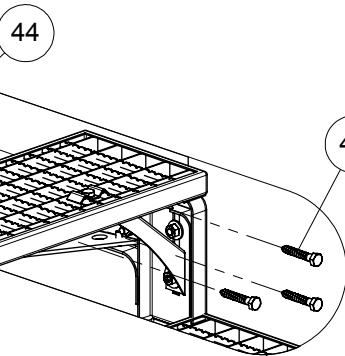
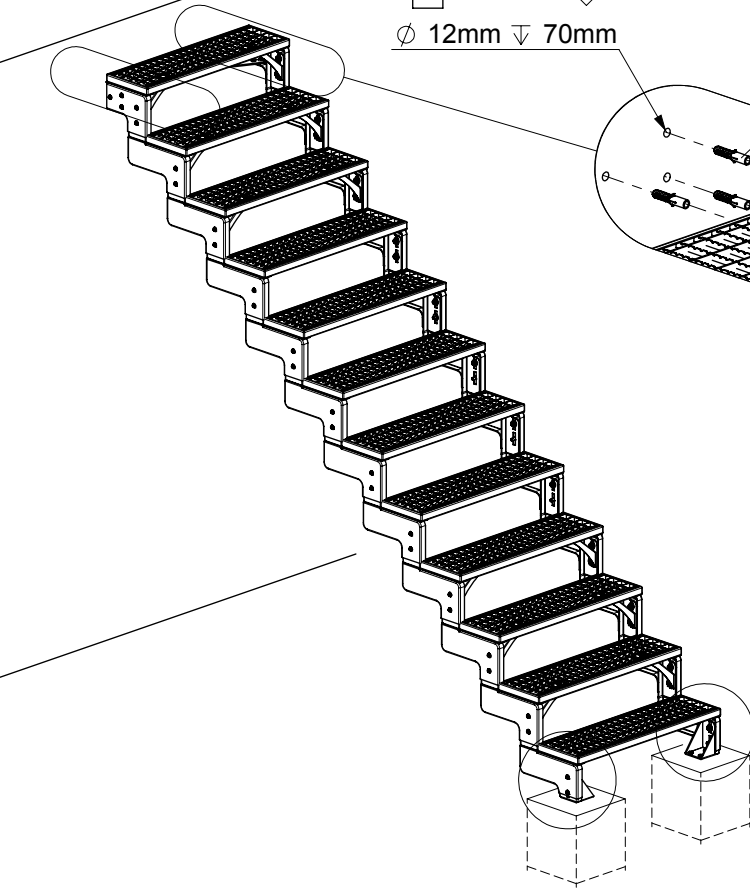
51

52



51

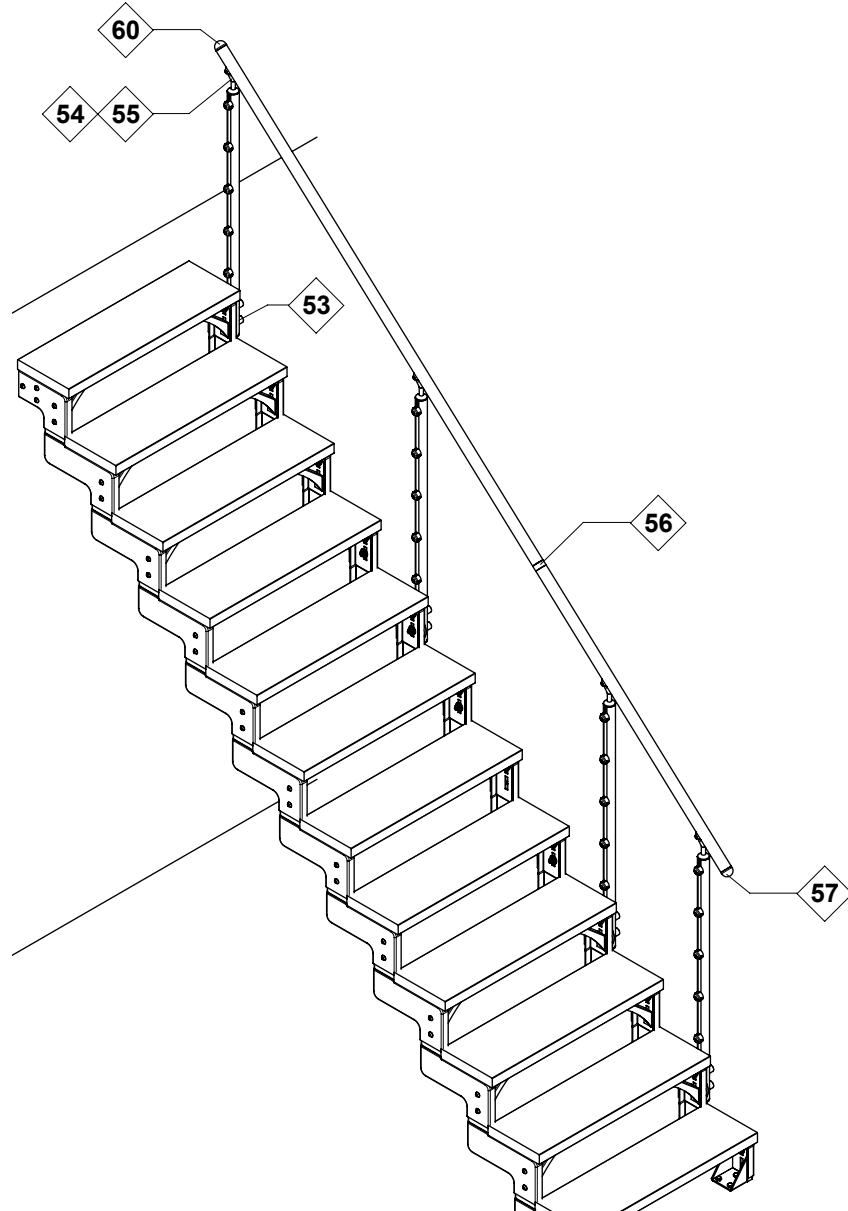
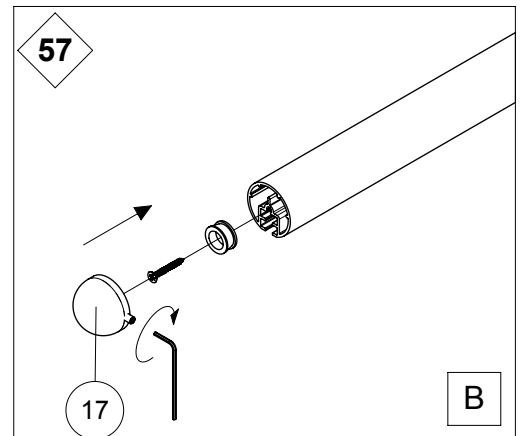
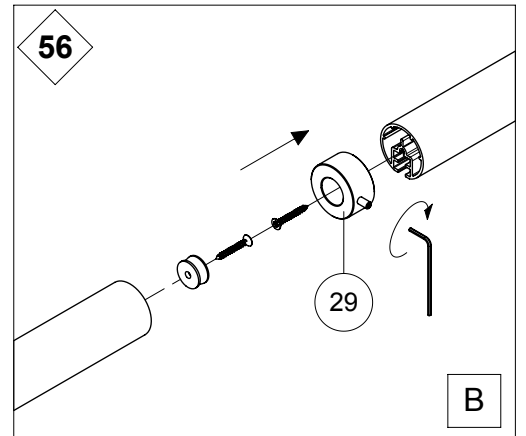
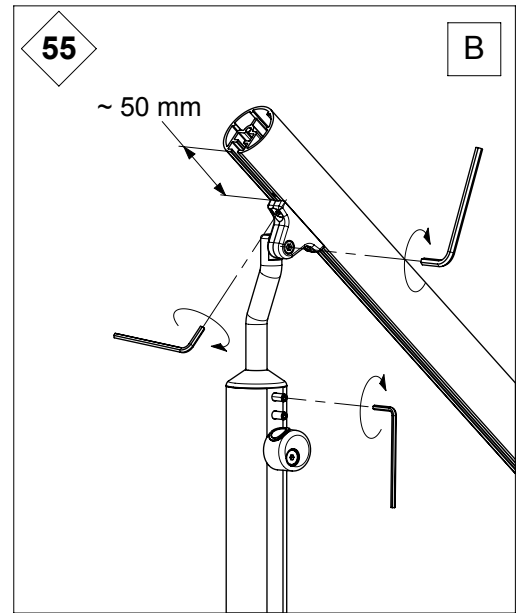
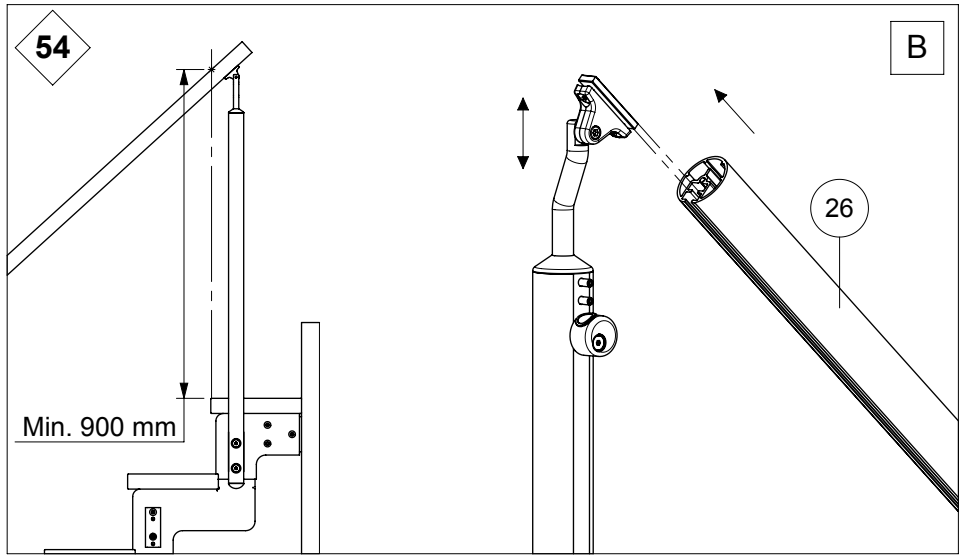
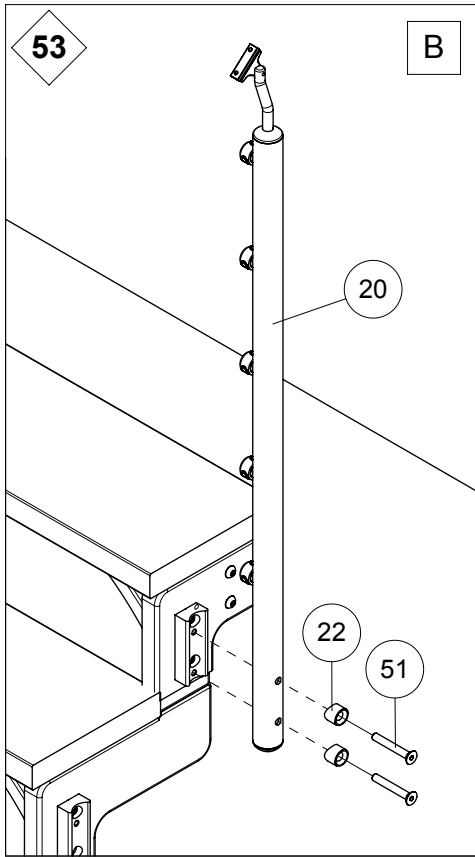
Ø 12mm ▽ 70mm

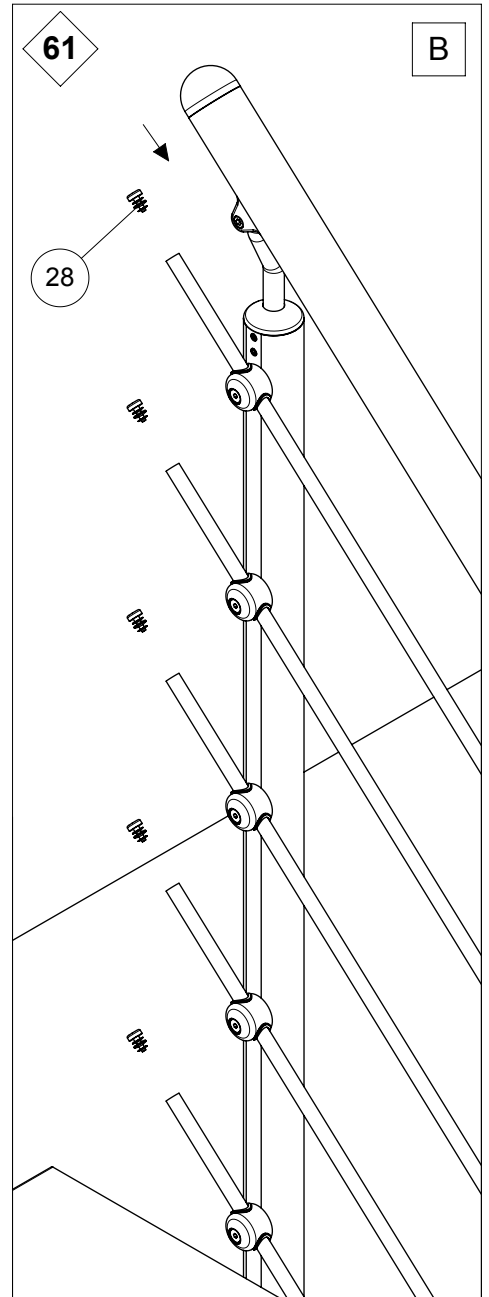
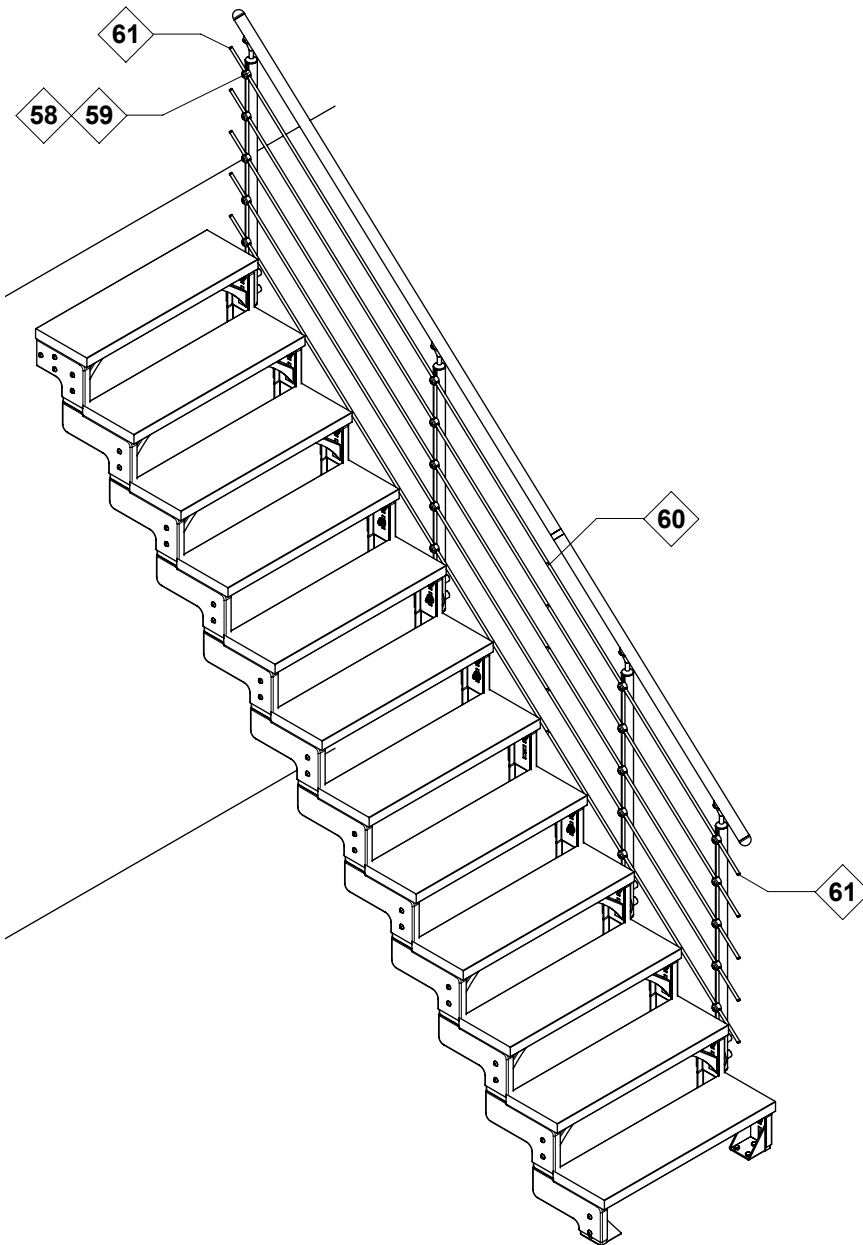
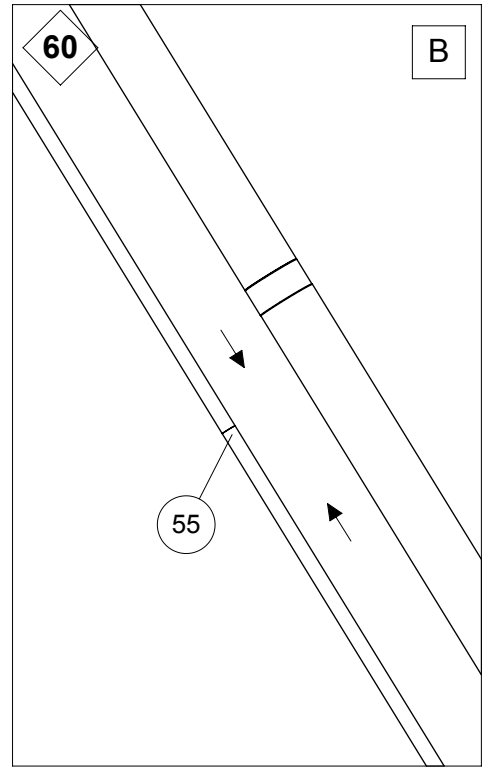
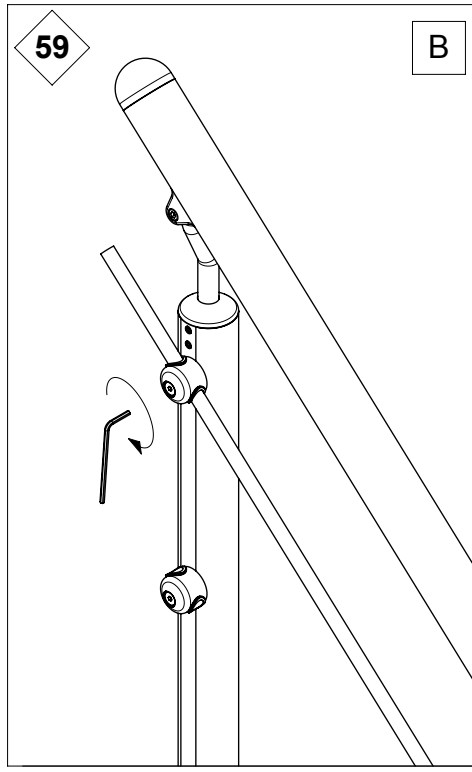
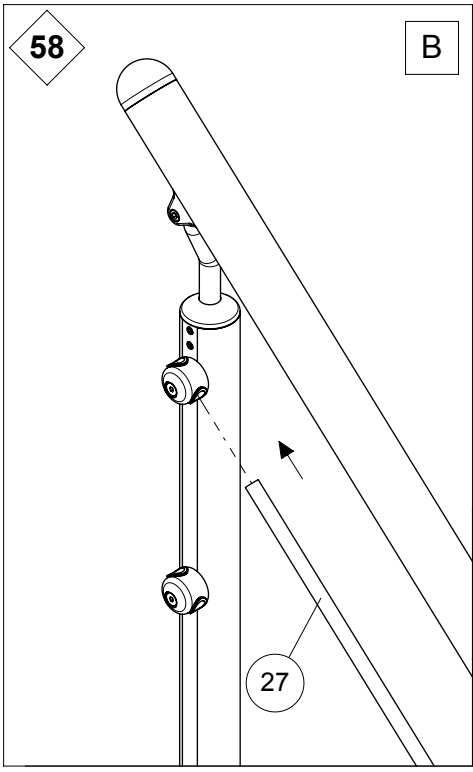


51


Ø 12mm ▽ 70mm

B







  
We recommend  
using a support  
column from 8 treads  
and if  $W = 100$  cm  
  
Ab 8 Stufen und  $W =$   
 $100$  cm empfehlen  
wir eine Abstützung  
der Treppe

