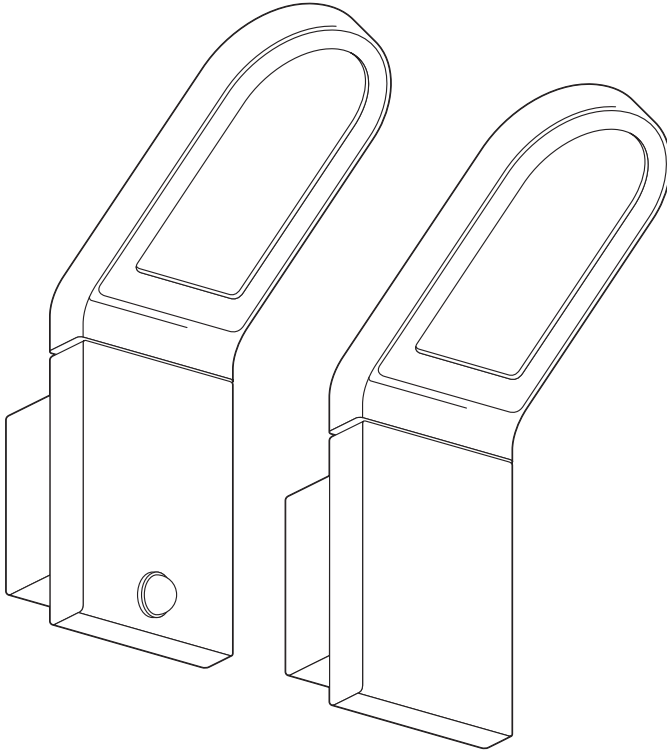


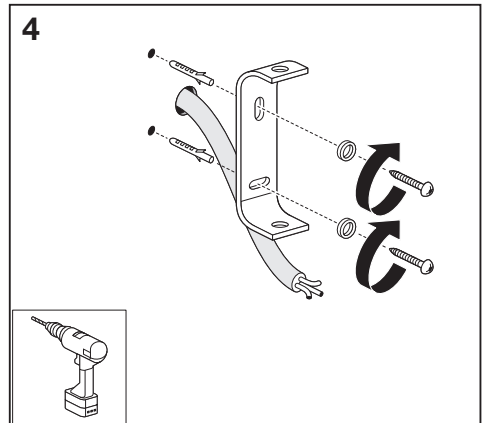
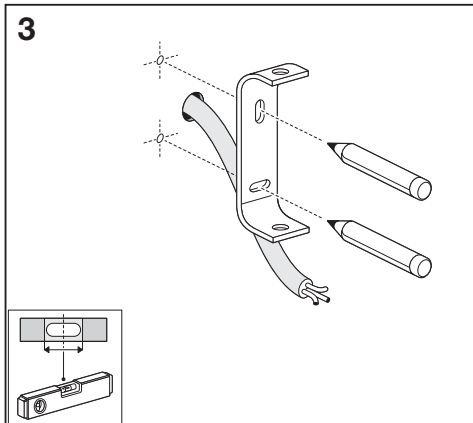
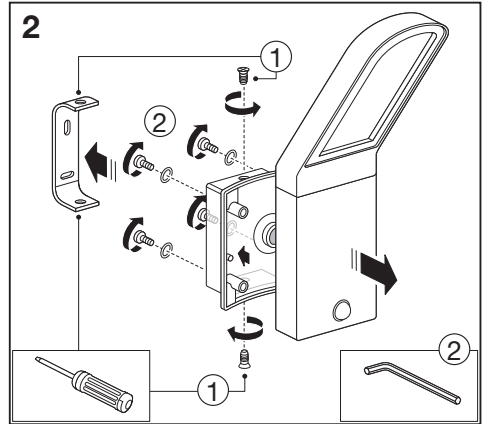
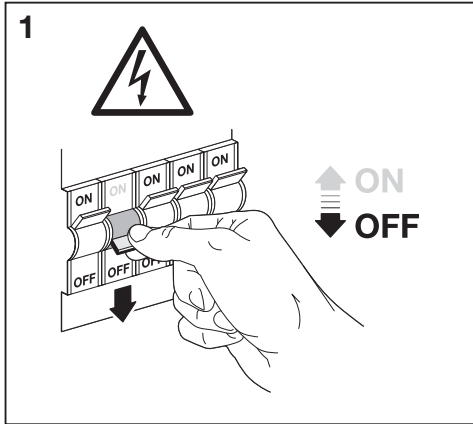
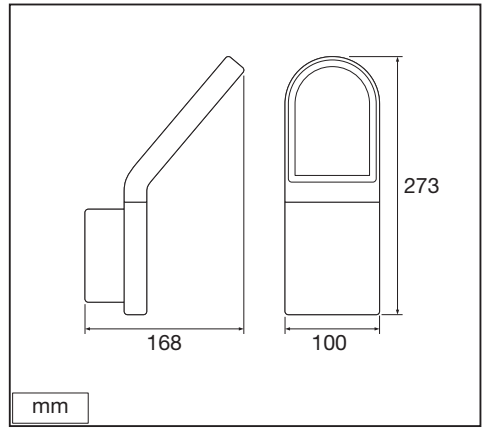
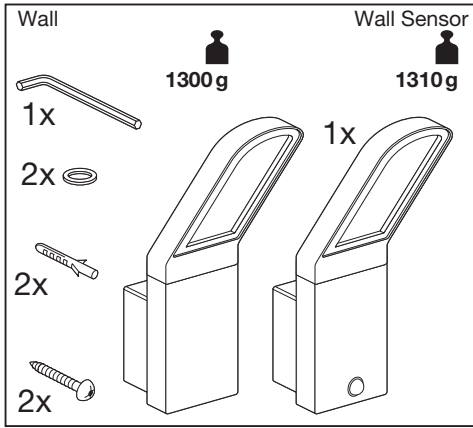
---

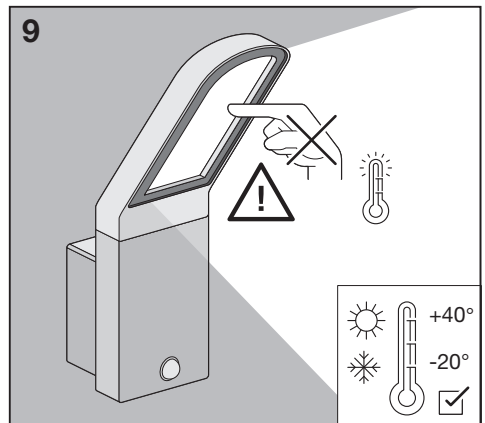
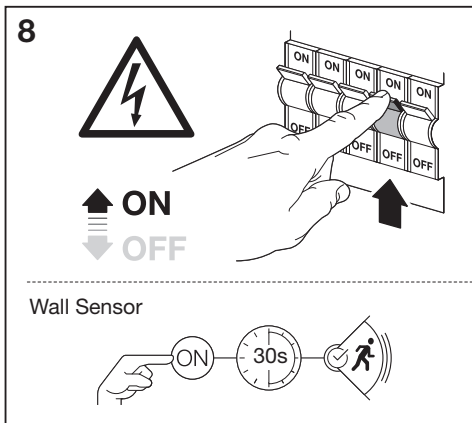
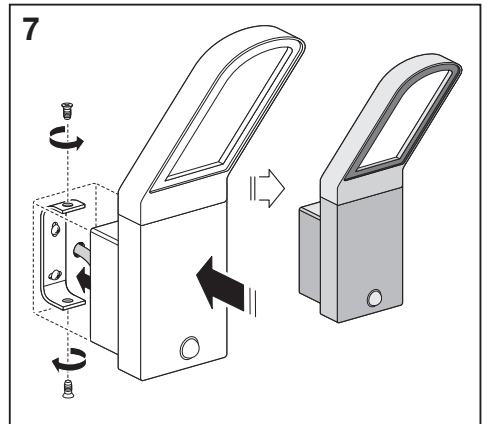
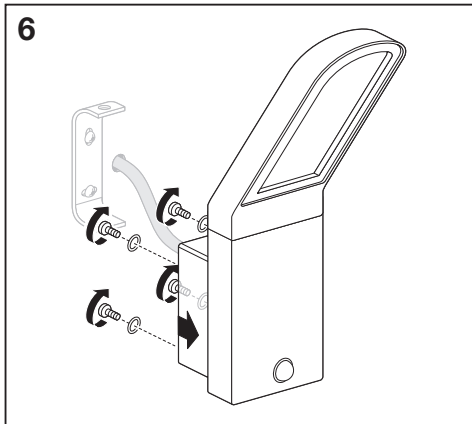
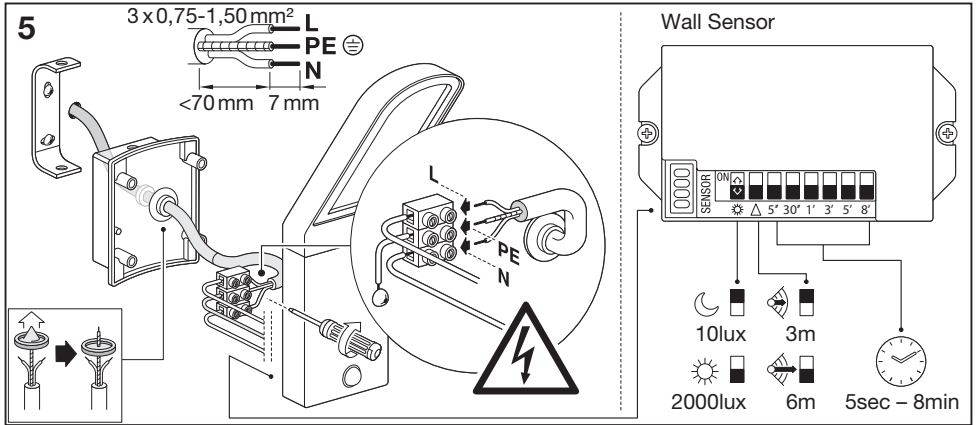
**ENDURA® STYLE  
WALL**


---



	EAN	W	lm	K	⊖ (°C)	V~	mA	Hz	PF
<b>ENDURA® STYLE WALL 12W DG</b>	4058075214132	11.5	740	3000	-20...+40	220-240	96	50/60	>0.5
<b>ENDURA® STYLE WALL 12W WT</b>	4058075214156	11.5	770	3000	-20...+40	220-240	96	50/60	>0.5
<b>ENDURA® STYLE WALL SENSOR 12W DG</b>	4058075214170	12.2	740	3000	-20...+40	220-240	68	50/60	>0.5
<b>ENDURA® STYLE WALL SENSOR 12W WT</b>	4058075214194	12.2	770	3000	-20...+40	220-240	68	50/60	>0.5







C10449057  
G11077741  
29.05.2019



LEDVANCE GmbH  
Steinerne Furt 62  
86167 Augsburg, Germany  
[www.ledvance.com](http://www.ledvance.com)