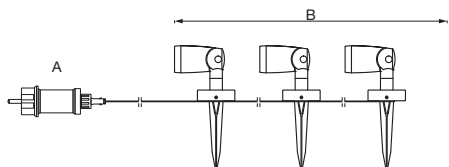
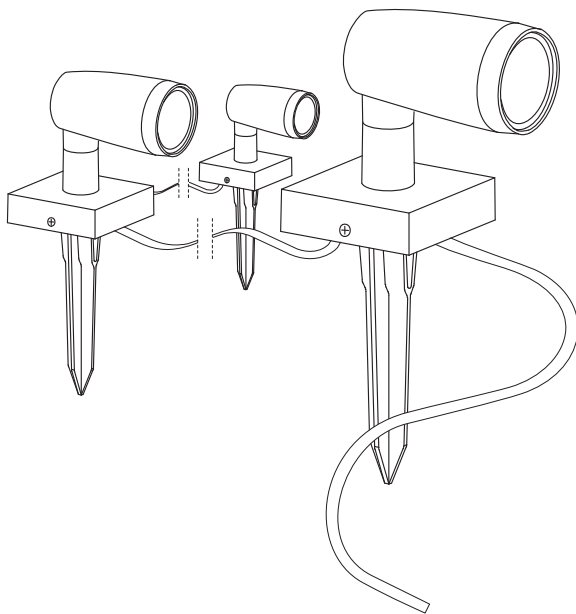
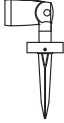



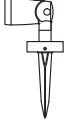



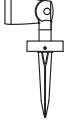





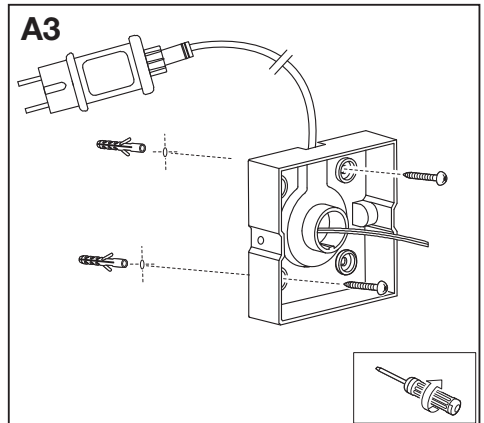
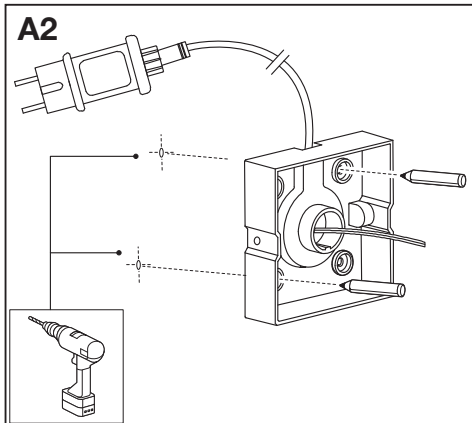
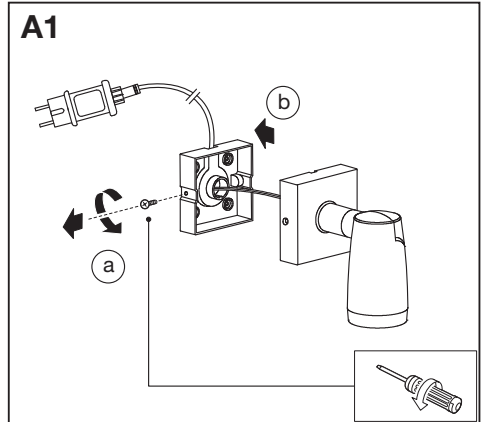
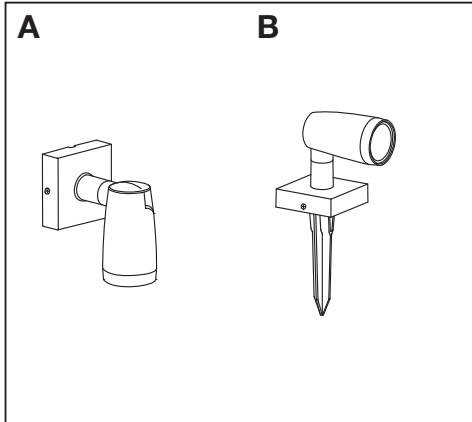
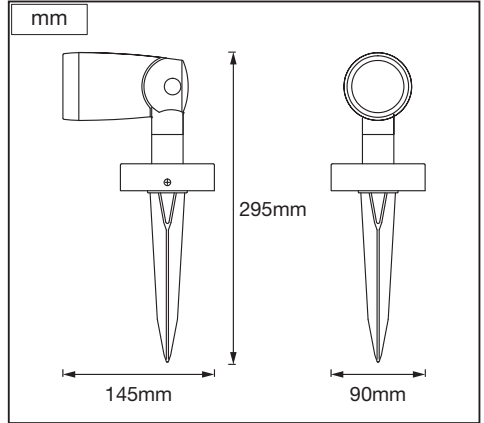


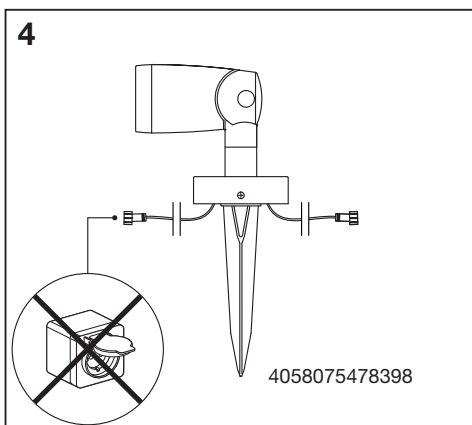
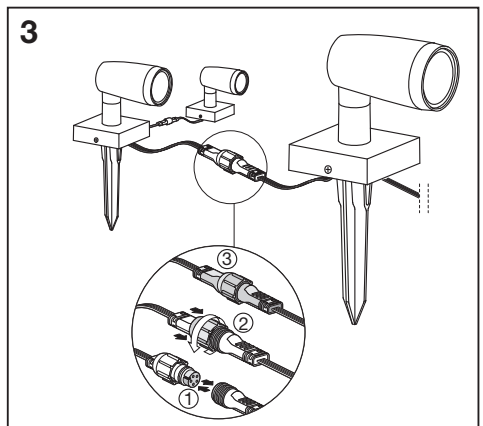
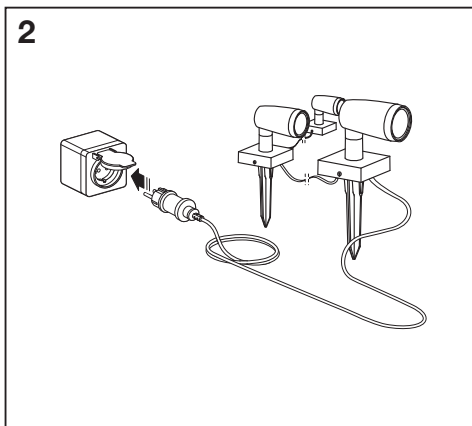
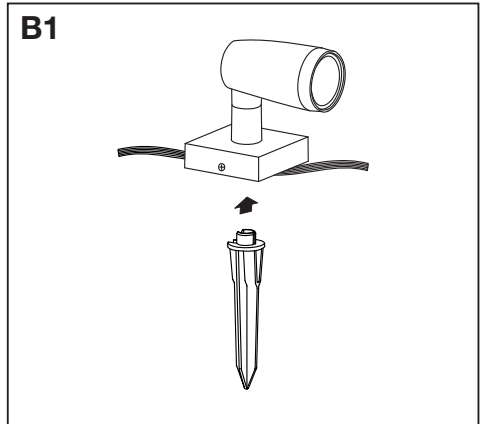
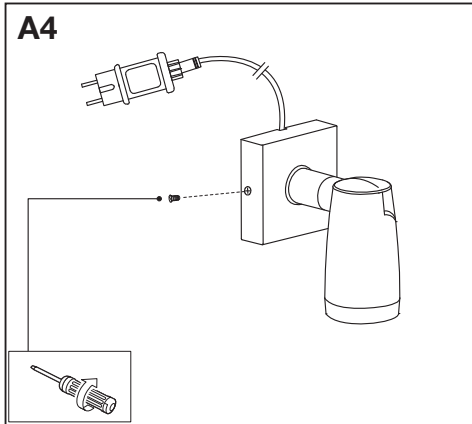
SMART⁺ GARDEN SPOT | EXTENSION



	EAN	W	lm	Power supply adaptor (A)			Lighting chain (B)		
				Input	Class	IP	Input	Class	IP
SMART WIFI GARDEN SPOT RGBW 1P DG	4058075478374	5	260	220-240V~ 50/60Hz	II	44	12VDC	III	44
SMART WIFI GARDEN SPOT RGBW 1PEXTDG	4058075478398	4.5	260	-	-	-	12VDC	III	44
SMART WIFI GARDEN SPOT RGBW 3P DG	4058075478497	14.5	680	220-240V~ 50/60Hz	II	44	12VDC	III	44

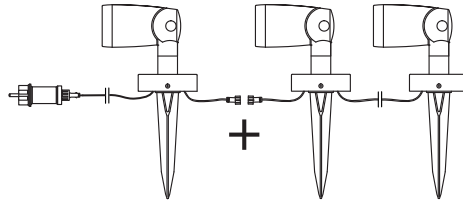
	 2x	 590g
	 2x 4058075478374	
	 2x	 480g
	 2x 4058075478398	
	 6x	 1520g
	 6x 4058075478497	





6

max. 3 pcs



4058075478374

4058075478398

